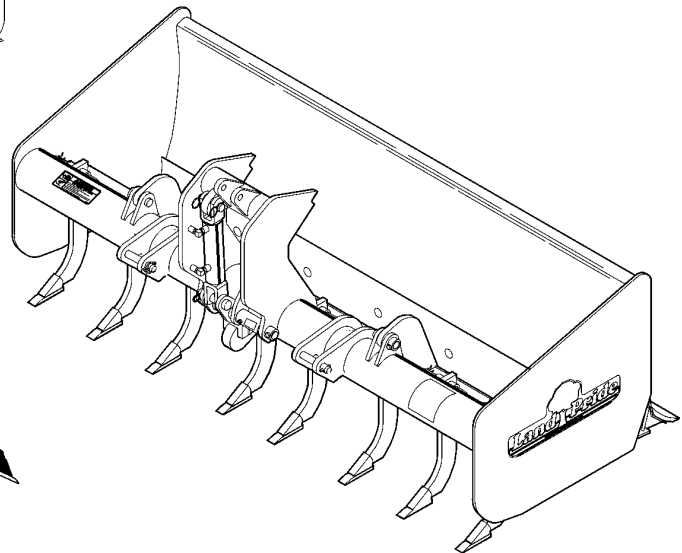
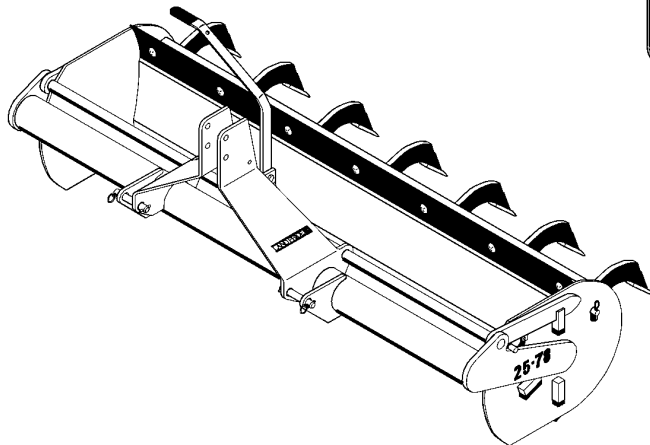
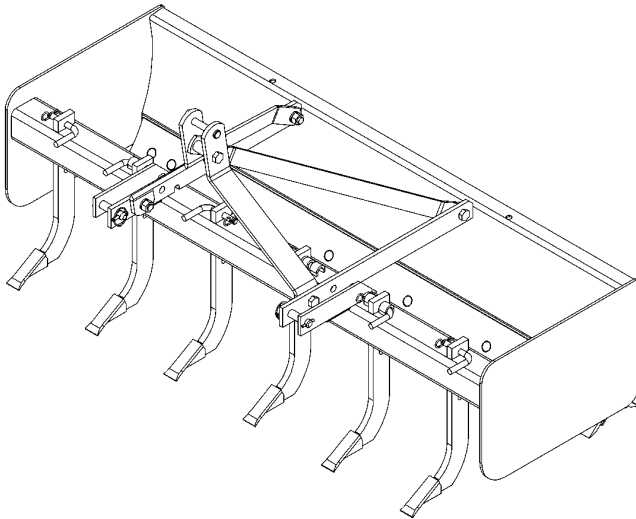


# Box Scrapers

---

**BB15, BB25, MR35, MRL35, HR35, HRL35 & RO25**

26546

## 303-082P Parts Manual



Read the Operator's Manual entirely. When you see this symbol, the subsequent instructions and warnings are serious - follow without exception. Your life and the lives of others depend on it!

© Copyright 2019 Printed 07/10/18

Cover photo may show optional equipment not supplied with standard unit.





# Table of Contents

---

<b>Section 1: Introduction.....</b>	<b>4</b>
Using This Manual.....	4
Manual Replacement Information.....	4
Manual Revisions.....	4
Touch-up Paint.....	4
Hardware Legend.....	5
Replacement Hardware.....	5
Serial Numbers.....	5
Part Number Service Coding.....	5

## BB15 & BB25 SERIES

<b>Complete Assembly.....</b>	<b>6</b>
BB15 Fixed Bar Scraper S/N 633955-.....	6
BB15 Fixed Bar Scraper S/N 633956+.....	10
BB25 Fixed Bar Scraper.....	14
Decal Placement.....	18
Land Pride Touch-up Paints.....	22
Rear Hinge And Rear Grader Blade.....	24

## HR(L)35 SERIES

<b>Complete Assembly.....</b>	<b>28</b>
Decal Placement.....	28
Hydraulic Cylinder Double Acting (810-125C) Lion.....	32
Hydraulic Cylinder Double Acting EGY (810-125C).....	34
Hydraulic Retractable Box Scraper (S/N 948409-).....	36
Hydraulic Retractable Box Scraper (S/N 948410+).....	40
Land Pride Touch-up Paints.....	42
Pilot Operated Check Valve Kit (305-146A).....	44

## MR(L)35 SERIES

<b>Complete Assembly.....</b>	<b>46</b>
Decal Placement.....	46
Land Pride Touch-up Paints.....	50
Manual Retractable Box Scraper.....	52

## RO25 SERIES

<b>Complete Assembly.....</b>	<b>55</b>
Decal Placement.....	56
Land Pride Touch-up Paints.....	58
Rollover Box Scraper.....	60

<b>Part Number Index.....</b>	<b>62</b>
-------------------------------	-----------

© Copyright 2019. All rights reserved.

Land Pride provides this publication "as is" without warranty of any kind, either expressed or implied. While every precaution has been taken in the preparation of this manual, Land Pride assumes no responsibility for errors or omissions. Neither is any liability assumed for damages resulting from the use of the information contained herein. Land Pride reserves the right to revise and improve its products as it sees fit. This publication describes the state of this product at the time of its publication, and may not reflect the product in the future. The illustrations in this manual are not intended for safe and proper assembly or disassembly of equipment. The illustrations are intended for ordering parts only.

Land Pride is registered trademark.

All other brands and product names are trademarks or registered trademarks of their respective holders.

*Printed in the United States of America.*

[Table of Contents](#)   [Part Number Index](#)

# Alphabetized Table of Contents

---

## BB15 & BB25 SERIES

### B

BB15 Fixed Bar Scraper S/N 633955-.....	6
BB15 Fixed Bar Scraper S/N 633956+.....	10
BB25 Fixed Bar Scraper.....	14

### D

Decal Placement.....	18
----------------------	----

### L

Land Pride Touch-up Paints.....	22
---------------------------------	----

### R

Rear Hinge And Rear Grader Blade.....	24
---------------------------------------	----

## HR(L)35 SERIES

### D

Decal Placement.....	28
----------------------	----

### H

Hydraulic Cylinder Double Acting (810-125C) Lion.....	32
Hydraulic Cylinder Double Acting EGY (810-125C).....	34
Hydraulic Retractable Box Scraper (S/N 948409-).....	36
Hydraulic Retractable Box Scraper (S/N 948410+).....	40

### L

Land Pride Touch-up Paints.....	42
---------------------------------	----

### P

Pilot Operated Check Valve Kit (305-146A).....	44
--	----

## MR(L)35 SERIES

### D

Decal Placement.....	46
----------------------	----

### L

Land Pride Touch-up Paints.....	50
---------------------------------	----

### M

Manual Retractable Box Scraper.....	52
-------------------------------------	----

## RO25 SERIES

### D

Decal Placement.....	56
----------------------	----

### L

Land Pride Touch-up Paints.....	58
---------------------------------	----

### R

Rollover Box Scraper.....	60
---------------------------	----

## [Table of Contents](#)    [Part Number Index](#)

# General Information

## Using This Manual

This manual is divided into sections. The first section contains General Information. The remaining sections divide the machine into segments (i.e. Frames, Drives, Hydraulics, etc.) which illustrate and list all parts. A Parts Number Index is located at the back of the book.

The Land Pride parts in this manual are specially designed for this machine and should be replaced with Land Pride parts only.

The information in this manual is current at time of printing. Some parts may change to assure top performance.

Right-hand and left-hand as used in this manual are determined by facing the direction the machine will travel while in use.

Below is an example of two facing pages from a parts manual. Familiarize yourself with the type of information contained on these pages.

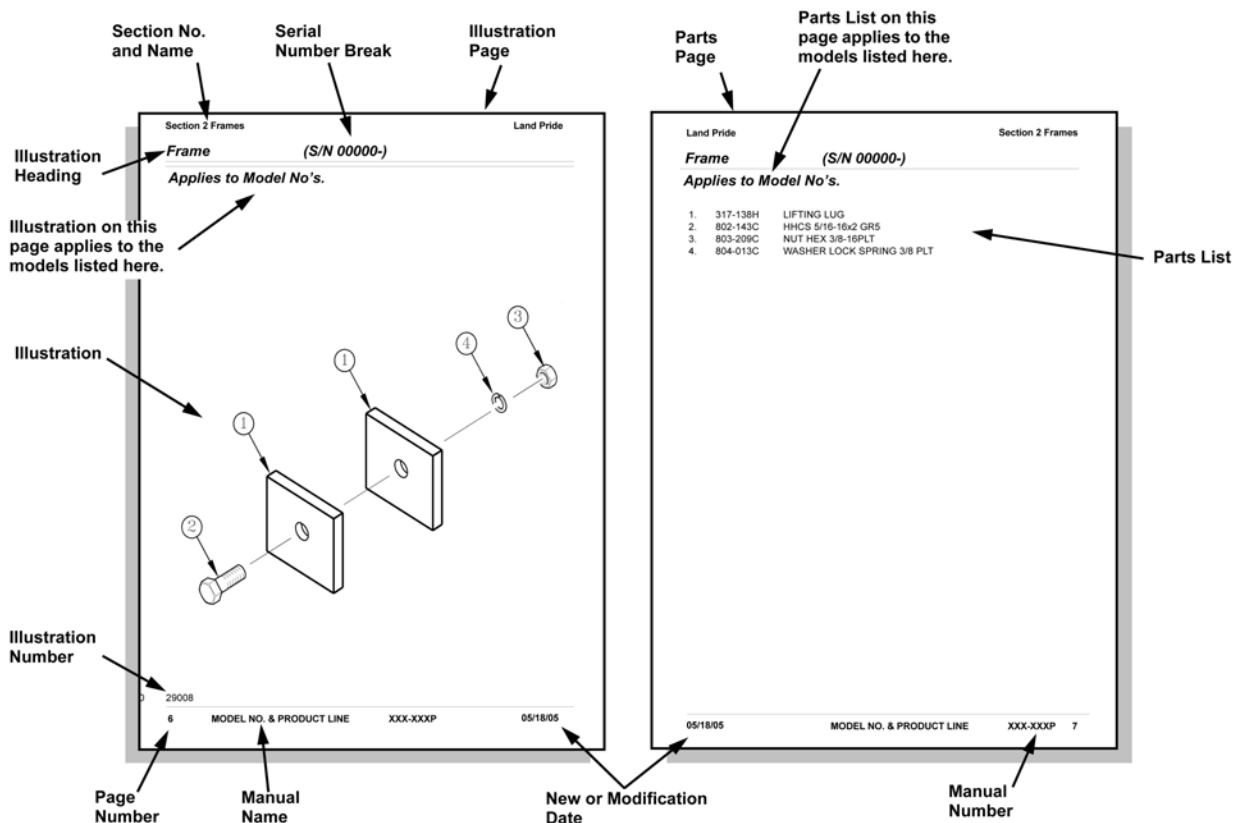
## Manual Replacement Information

Replacement manuals are available. Refer to our website at [www.landpride.com](http://www.landpride.com) or e-mail us at [lit@landpride.com](mailto:lit@landpride.com) for additional information. Our website continues to provide the most up-to-date manuals available.

## Touch-up Paint

Repaint parts where paint is worn or scratched to prevent rust. Aerosol cans and touch-up bottles with brush applicator are available through your local dealer. Also available are quart and gallon size paints. Add QT or GL to end of the Aerosol P/N.

Land Pride color descriptions and part numbers are listed on the "Land Pride Touch-up Paints" page in the "Decals" section of this book. Color options vary by product.



## [Table of Contents](#)    [Part Number Index](#)

Land Pride

Section 1 Introduction

# General Information

## Hardware Legend

<b>AR</b>	As Required
<b>BLADE</b>	Blade Bolt
<b>C</b>	Cap Screw
<b>CP</b>	Cotter Pin
<b>CPHSSS</b>	Cup Point Hex Socket Set Screw
<b>CPSHSS</b>	Cup Point Square Head Set Screw
<b>CPSQHSS</b>	Cup Point Square Head Set Screw
<b>CRFCHMS3</b>	Cross Recess Flat Countersunk Head Machine Screw
<b>CRPHMS</b>	Cross Recess Pan Head Machine Screw
<b>CRPHTF</b>	Cross Recess Pan Head Thread Forming
<b>CRRHMS</b>	Cross Recess Round Head Machine Screw
<b>CRTHMS</b>	Cross Recess Truss Head Machine Screw
<b>CSNB</b>	Countersunk Square Neck Bolt
<b>FHMS</b>	Flat Head Machine Screw
<b>FTC</b>	Full Thread Cap Screw
<b>H</b>	Hex Nut
<b>HCLN</b>	Hex Center Lock Nut
<b>HFLCS</b>	Hex Flange Lock Cap Screw
<b>HFS</b>	Hex Flange Screw
<b>HFSLN</b>	Hex Flange Serrated Lock Nut
<b>HFSS</b>	Hex Flange Serrated Screw
<b>HHCS</b>	Hex Head Cap Screw or Metric Bolt
<b>HSBHCS</b>	Hex Socket Button Head Cap Screw
<b>HSFCHCS</b>	Hex Socket Flat Countersunk Head Cap Screw
<b>HSHCS</b>	Hex Socket Head Cap Screw
<b>HSSS</b>	Hex Socket Head Screw
<b>HTLN</b>	Hex Top Lock Nut
<b>HWHCS</b>	Hex Washer Head Cap Screw

<b>HWHMS</b>	Hex Washer Head Machine Screw
<b>HXBHCS</b>	Hex Socket Button Head Cap Screw
<b>J</b>	Hex Jam Nut
<b>JIC</b>	37 Degree Tapered Thread
<b>L</b>	Helical Spring Lock Washer
<b>LUG</b>	Lug Bolt
<b>NFC</b>	National Fine Cap Screw
<b>NPSM</b>	National Pipe Straight Mechanical
<b>NPTF</b>	National Pipe Taper Fuel
<b>P</b>	Wide Plain Washer
<b>PHMS</b>	Pan Head Machine Screw
<b>PLOW</b>	Plow Bolt
<b>RHMS</b>	Round Head Machine Screw
<b>RHSNB</b>	Round Head Square Neck Bolt
<b>SCREW LEVELING</b>	Leveling Screw
<b>SCREW THUMB</b>	Thumb Screw
<b>SCREW WELD</b>	Weld Screw
<b>SFCHMS</b>	Slotted Flat Countersunk Head Machine Screw
<b>SFHMS</b>	Slotted Fillister Head Machine Screw
<b>SP</b>	Special
<b>SP SCREW</b>	Special Screw
<b>SQHSS</b>	Square Head Set Screw
<b>SRHMS</b>	Slotted Round Head Machine Screw
<b>SSS</b>	Socket Set Screw
<b>STCS</b>	Self Tapping Cap Screw
<b>STHMS</b>	Slotted Truss Head Machine Screw
<b>WHEEL</b>	Wheel Studs and Hub Long Bolts
<b>WING</b>	Wing Bolt

## Replacement Hardware

The **Hardware Legend** above lists hardware abbreviations used in the parts list. All bolts and nuts are Grade 5 unless otherwise noted. The use of improper grades of hardware can result in personal injury, damage to equipment, or loss of property.

## Colored Replacement Parts

Land Pride offers replacement parts in factory standard colors and also on select models in Green, Orange, Red and Blue. Because of the variety of colors available, special attention must be given to the part number to prevent ordering the wrong replacement part.

A suffix number corresponding to one of the colors below must be added at the end of Land Pride's part number when ordering a replacement part with that color.

**81 . . . . . Green      83 . . . . . Red**  
**82 . . . . . Orange    84 . . . . . Blue**

For example, if you are ordering a replacement part with part number 555-555C and the part you need is red, then add the suffix 83 to the end of the number to make the part number read 555-555C83. Parts ordered without a suffix number will be supplied in factory standard colors.

## Black Replacement Parts

Some parts are factory standard black and some must be special ordered black. If your part is special ordered black, a second part number with the additional suffix number 85 on the end will be available. In this situation you must order that part with the suffix number for it to be black. Parts that are factory standard black will not have the suffix number.

## Part Number Service Coding

Within the parts list some part numbers are coded for revisions and interchangeability. See notations in revision column.

## Serial Numbers

Always use the serial and model number when ordering parts. Refer to the Operator's Manual for serial number plate location.

(S/N 20001+)	Includes serial numbers 20001 and above (to the latest number)
(S/N 10001 to 20000)	Includes serial numbers between and including 10001 and 20000
(S/N 10000-)	Includes serial numbers 10000 and below (to the earliest number)



**BB15 Fixed Bar Scraper S/N 633955-****Applies to BB1542, BB1548, BB1554, BB1560, BB1566, BB1572**

Ref	Part No.	Part Description	Comments	Revision
	Dwg 22411	Drawing Image Number		
1.	303-122H	1542 FIXED BAR SCRAPER OPT. 41	(S/N 459055 +)	Rev. 2
1.	303-122H81	1542 FIXED BAR SCRAPER OPT. 41 GREEN		
1.	303-122H82	1542 FIXED BAR SCRAPER OPT. 41 ORANGE		
1.	303-122H83	1542 FIXED BAR SCRAPER OPT. 41 RED		
1.	303-122H94	1542 FIXED BAR SCRAPER OPT. 41 BLUE		
1.	303-122H85	1542 FIXED BAR SCRAPER OPT. 41 BLACK		
1.	303-053H	1542 FIXED BAR SCRAPER OPT. 41	With rear gate option(S/N 459054 -)	Rev. 1
1.	303-123H	1548 FIXED BAR SCRAPER OPT. 41	(S/N 459055 +)	Rev. 2
1.	303-123H81	1548 FIXED BAR SCRAPER OPT. 41 GREEN		
1.	303-123H82	1548 FIXED BAR SCRAPER OPT. 41 ORANGE		
1.	303-123H83	1548 FIXED BAR SCRAPER OPT. 41 RED		
1.	303-123H84	1548 FIXED BAR SCRAPER OPT. 41 BLUE		
1.	303-123H85	1548 FIXED BAR SCRAPER OPT. 41 BLACK		
1.	303-001H	1548 FIXED BAR SCRAPER OPT. 41	With rear gate option(S/N 459054 -)	Rev. 1
1.	303-124H	1554 FIXED BAR SCRAPER OPT. 41	(S/N 459055 +)	Rev. 2
1.	303-124H81	1554 FIXED BAR SCRAPER OPT. 41 GREEN		
1.	303-124H82	1554 FIXED BAR SCRAPER OPT. 41 ORANGE		
1.	303-124H83	1554 FIXED BAR SCRAPER OPT. 41 RED		
1.	303-124H84	1554 FIXED BAR SCRAPER OPT. 41 BLUE		
1.	303-124H85	1554 FIXED BAR SCRAPER OPT. 41 BLACK		
1.	303-072H	1554 FIXED BAR SCRAPER OPT. 41	With rear gate option(S/N 459054 -)	Rev. 1
1.	303-125H	1560 FIXED BAR SCRAPER OPT. 41	(S/N 459055 +)	Rev. 2
1.	303-125H81	1560 FIXED BAR SCRAPER OPT. 41 GREEN		
1.	303-125H82	1560 FIXED BAR SCRAPER OPT. 41 ORANGE		
1.	303-125H83	1560 FIXED BAR SCRAPER OPT. 41 RED		
1.	303-125H84	1560 FIXED BAR SCRAPER OPT. 41 BLUE		
1.	303-125H85	1560 FIXED BAR SCRAPER OPT. 41 BLACK		
1.	303-003H	1560 FIXED BAR SCRAPER OPT. 41	With rear gate option(S/N 459054 -)	Rev. 1
1.	303-126H	1572 FIXED BAR SCRAPER OPT. 41	(S/N 459055 +)	Rev. 2
1.	303-126H81	1572 FIXED BAR SCRAPER OPT. 41 GREEN		
1.	303-126H82	1572 FIXED BAR SCRAPER OPT. 41 ORANGE		
1.	303-126H83	1572 FIXED BAR SCRAPER OPT. 41 RED		
1.	303-126H84	1572 FIXED BAR SCRAPER OPT. 41 BLUE		
1.	303-126H85	1572 FIXED BAR SCRAPER OPT. 41 BLACK		
1.	303-054H	1572 FIXED BAR SCRAPER OPT. 41	With rear gate option(S/N 459054 -)	Rev. 1
1.	303-127H	1542 FIXED BAR SCRAPER OPT. 42	(S/N 459055 +)	Rev. 2
1.	303-127H81	1542 FIXED BAR SCRAPER OPT. 42 GREEN		
1.	303-127H82	1542 FIXED BAR SCRAPER OPT. 42 ORANGE		
1.	303-127H83	1542 FIXED BAR SCRAPER OPT. 42 RED		
1.	303-127H84	1542 FIXED BAR SCRAPER OPT. 42 BLUE		
1.	303-127H85	1542 FIXED BAR SCRAPER OPT. 42		
1.	303-089H	1542 FIXED BAR SCRAPER OPT. 42	With rear gate option(S/N 459054 -)	Rev. 1
1.	303-128H	1548 FIXED BAR SCRAPER OPT. 42	(S/N 459055 +)	Rev. 2
1.	303-128H81	1548 FIXED BAR SCRAPER OPT. 42 GREEN		
1.	303-128H82	1548 FIXED BAR SCRAPER OPT. 42 ORANGE		
1.	303-128H83	1548 FIXED BAR SCRAPER OPT. 42 RED		
1.	303-128H84	1548 FIXED BAR SCRAPER OPT. 42 BLUE		
1.	303-128H85	1548 FIXED BAR SCRAPER OPT. 42 BLACK		
1.	303-090H	1548 FIXED BAR SCRAPER OPT. 42	With rear gate option(S/N 459054 -)	Rev. 1
1.	303-129H	1554 FIXED BAR SCRAPER OPT. 42	(S/N 459055 +)	Rev. 2
1.	303-129H81	1554 FIXED BAR SCRAPER OPT. 42 GREEN		
1.	303-129H82	1554 FIXED BAR SCRAPER OPT. 42 ORANGE		
1.	303-129H83	1554 FIXED BAR SCRAPER OPT. 42 RED		
1.	303-129H84	1554 FIXED BAR SCRAPER OPT. 42 BLUE		
1.	303-129H85	1554 FIXED BAR SCRAPER OPT. 42 BLACK		
1.	303-091H	1554 FIXED BAR SCRAPER OPT. 42	With rear gate option(S/N 459054 -)	Rev. 1
1.	303-130H	1560 FIXED BAR SCRAPER OPT. 42	(S/N 459055 +)	Rev. 2

Land Pride  
BB15 & BB25 SERIES[Table of Contents](#)   [Part Number Index](#)

Complete Assembly

**BB15 Fixed Bar Scraper S/N 633955- (continued)****Applies to BB1542, BB1548, BB1554, BB1560, BB1566, BB1572**

Ref	Part No.	Part Description	Comments	Revision
1.	303-130H81	1560 FIXED BAR SCRAPER OPT. 42 GREEN		
1.	303-130H82	1560 FIXED BAR SCRAPER OPT. 42 ORANGE		
1.	303-130H83	1560 FIXED BAR SCRAPER OPT. 42 RED		
1.	303-130H84	1560 FIXED BAR SCRAPER OPT. 42 BLUE		
1.	303-130H85	1560 FIXED BAR SCRAPER OPT. 42 BLACK		
1.	303-092H	1560 FIXED BAR SCRAPER OPT. 42	With rear gate option(S/N 459054 -)	Rev. 1
1.	303-250H	1566 FIXED BAR SCRAPER WLDMNT		
1.	303-250H81	1566 FIXED BAR SCRAPER WLDMNT GREEN		
1.	303-250H82	1566 FIXED BAR SCRAPER WLDMNT ORANGE		
1.	303-250H83	1566 FIXED BAR SCRAPER WLDMNT RED		
1.	303-250H84	1566 FIXED BAR SCRAPER WLDMNT BLUE		
1.	303-250H85	1566 FIXED BAR SCRAPER WLDMNT BLACK		
1.	303-131H	1572 FIXED BAR SCRAPER OPT. 42	(S/N 459055 +)	Rev. 2
1.	303-131H81	1572 FIXED BAR SCRAPER OPT. 42 GREEN		
1.	303-131H82	1572 FIXED BAR SCRAPER OPT. 42 ORANGE		
1.	303-131H83	1572 FIXED BAR SCRAPER OPT. 42 RED		
1.	303-131H84	1572 FIXED BAR SCRAPER OPT. 42 BLUE		
1.	303-131H85	1572 FIXED BAR SCRAPER OPT. 42 BLACK		
1.	303-093H	1572 FIXED BAR SCRAPER OPT. 42	With rear gate option(S/N 459054 -)	Rev. 1
2.	303-121D	RPBY 303-084D	(S/N 459055 to 633955)	Rev. 3 not compat. w/Rev. 2.
2.	303-084D	TOP HITCH REAR BRACE	(S/N 271260 to 459054)	Rev. 2 not compat. w/Rev. 1.
2.	303-084D81	TOP HITCH REAR BRACE GREEN		
2.	303-084D82	TOP HITCH REAR BRACE ORANGE		
2.	303-084D83	TOP HITCH REAR BRACE RED		
2.	303-084D84	TOP HITCH REAR BRACE BLUE		
2.	303-084D85	TOP HITCH REAR BRACE BLACK		
2.	303-034D	HITCH BRACE	(S/N 271259-)	Rev. 1
3.	308-400D	SPACER 1 1/4OD X 25/32ID X 2LG	(S/N 271260+)	Rev. 2 not compat. w/Rev. 1.
3.	303-037D	TOP HITCH SPACER	(S/N 271259-)	Rev. 1
4.	802-069C	HHCS 3/4-10X5 GR5	(S/N 271260+)	Rev. 2 not compat. w/Rev. 1.
4.	802-068C	HHCS 3/4-10X4 GR5	(S/N 271259-)	Rev. 1
5.	804-023C	WASHER LOCK SPRING 3/4 PLT		
6.	803-027C	NUT HEX 3/4-10 PLT		
7.	805-111C	PIN DRAW 7/8 X 5		
8.	310-020S	LOWER HITCH PIN		
9.	805-198C	PIN LOWER HITCH 7/8X3 1/16USBL		Rev. 2
9.	310-074D	RPBY 805-198C		Rev 1; Use up stock
10.	805-041C	PIN ROLL 1/4X1 3/4		
11.	805-015C	PIN LYNCH 5/16 X 1 3/4		
12.	303-036D	48 HITCH STRAP	(S/N 271259-)	
13.	802-064C	HHCS 3/4-10X2 GR5		
14.	820-152C	SCARIFIER SHANK - 18 W/TIP	(S/N 162205+)	Rev. 2
14.	820-044C	RPBY 820-152C	(S/N 162204-)	Rev 1; Use up stock
15.	820-153C	SHANK TIP DIMPLE-ON WIDE FLARE	Optional Tip	Rev. 2
16.	805-197C	PIN BENT SHANK LOCK 5/8 OD		Rev. 2
16.	303-038D	RPBY 805-197C		Rev 1; Use up stock
17.	805-032C	PIN HAIR COTTER .148 WIRE		
18.	820-069C	GRADER BLADE 1/2 X 6 X 41 1/2		
18.	820-039C	GRADER BLADE 1/2 X 6 X 47 1/2		
18.	820-040C	GRADER BLADE 1/2 X 6 X 53 1/2		
18.	820-041C	GRADER BLADE 1/2 X 6 X 59 1/2		
18.	820-042C	GRADER BLADE 1/2 X 6 X 65 1/2		
18.	820-043C	GRADER BLADE 1/2 X 6 X 71 1/2		
19.	802-813C	PLOW 5/8-11X1 1/4 GR5		
20.	803-304C	NUT HEX WHIZ 5/8-11 PLT	S/N 815206+	
20.	803-263C	NUT HEX FLANGE LOCK 5/8-11 PLT	S/N 815205-	
21.	322-010D	DISC UPPER 3PT STRAP SHORT	(S/N 271260) to (S/N 459054)	

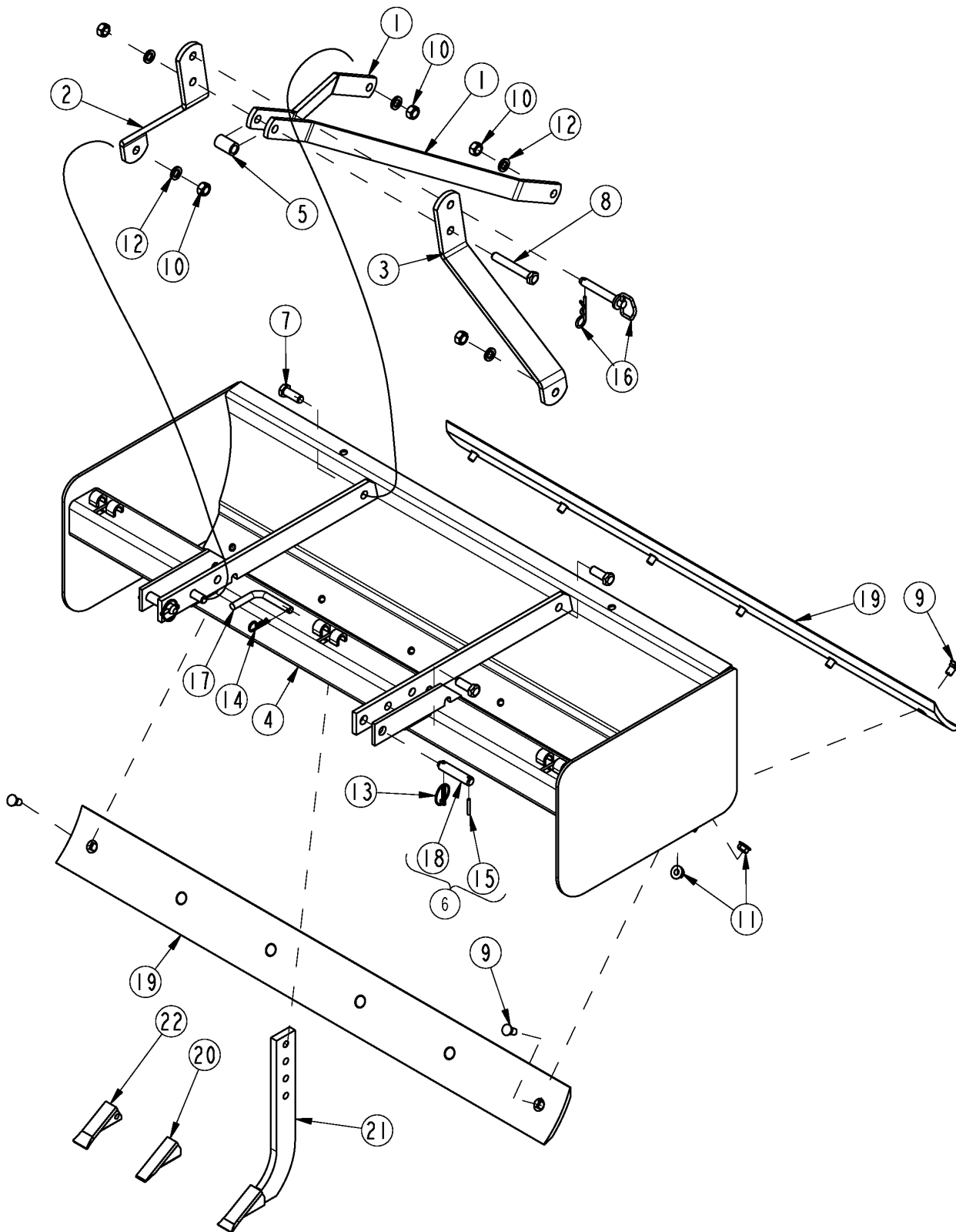


**BB15 Fixed Bar Scraper S/N 633955- (continued)****Applies to BB1542, BB1548, BB1554, BB1560, BB1566, BB1572**

<b>Ref</b>	<b>Part No.</b>	<b>Part Description</b>	<b>Comments</b>	<b>Revision</b>
22.	303-122D	HITCH TOP RH STRAP	(S/N 459055 +)	
22.	303-122D81	HITCH TOP RH STRAP GREEN		
22.	303-122D82	HITCH TOP RH STRAP ORANGE		
22.	303-122D83	HITCH TOP RH STRAP RED		
22.	303-122D84	HITCH TOP RH STRAP BLUE		
22.	303-122D85	HITCH TOP RH STRAP BLACK		
23.	303-123D	HITCH TOP LH STRAP	(S/N 459055 +)	
23.	303-123D81	HITCH TOP LH STRAP GREEN		
23.	303-123D82	HITCH TOP LH STRAP ORANGE		
23.	303-123D83	HITCH TOP LH STRAP RED		
23.	303-123D84	HITCH TOP LH STRAP BLUE		
23.	303-123D85	HITCH TOP LH STRAP BLACK	Includes Hair Pin Cotter	
24.	805-081C	PIN HITCH 3/4 X 4 3/8		
25.	820-050C	SHANK TIP DIMPLE-ON NARROW	Standard Tip	

**BB15 Fixed Bar Scraper S/N 633956+**

Applies to BB1542, BB1548, BB1554, BB1560, BB1566, BB1572



37019

**BB15 Fixed Bar Scraper S/N 633956+****Applies to BB1542, BB1548, BB1554, BB1560, BB1566, BB1572**

Ref	Part No.	Part Description	Comments	Revision
	Dwg 37019	Drawing Image Number		
1.	303-084D	TOP HITCH REAR BRACE		
1.	303-084D81	TOP HITCH REAR BRACE GREEN		
1.	303-084D82	TOP HITCH REAR BRACE ORANGE		
1.	303-084D83	TOP HITCH REAR BRACE RED		
2.	303-122D	HITCH TOP RH STRAP		
2.	303-122D81	HITCH TOP RH STRAP GREEN		
2.	303-122D82	HITCH TOP RH STRAP ORANGE		
2.	303-122D83	HITCH TOP RH STRAP		
3.	303-123D	HITCH TOP LH STRAP		
3.	303-123D81	HITCH TOP LH STRAP		
3.	303-123D82	HITCH TOP LH STRAP		
3.	303-123D83	HITCH TOP LH STRAP		
4.	303-278H	1548 FIXED BAR SCRAPER OPT. 42		
4.	303-278H81	1548 FIXED BAR SCRAPER GREEN OPT. 42		
4.	303-278H82	1548 FIXED BAR SCRAPER ORANGE OPT. 42		
4.	303-278H83	1548 FIXED BAR SCRAPER RED OPT. 42		
4.	303-279H	1554 FIXED BAR SCRAPER OPT. 42		
4.	303-279H81	1554 FIXED BAR SCRAPER GREEN OPT. 42		
4.	303-279H82	1554 FIXED BAR SCRAPER ORANGE OPT. 42		
4.	303-279H83	1554 FIXED BAR SCRAPER RED OPT. 42		
4.	303-280H	1560 FIXED BAR SCRAPER OPT. 42		
4.	303-280H81	1560 FIXED BAR SCRAPER GREEN OPT. 42		
4.	303-280H82	1560 FIXED BAR SCRAPER ORANGE OPT. 42		
4.	303-280H83	1560 FIXED BAR SCRAPER RED OPT. 42		
4.	303-281H	1566 FIXED BAR SCRAPER OPT. 42		
4.	303-281H81	1566 FIXED BAR SCRAPER GREEN OPT. 42		
4.	303-281H82	1566 FIXED BAR SCRAPER ORANGE OPT. 42		
4.	303-281H83	1566 FIXED BAR SCRAPER RED OPT. 42		
4.	303-282H	1572 FIXED BAR SCRAPER OPT. 42		
4.	303-282H81	1572 FIXED BAR SCRAPER GREEN OPT. 42		
4.	303-282H82	1572 FIXED BAR SCRAPER ORANGE OPT. 42		
4.	303-282H83	1572 FIXED BAR SCRAPER RED OPT. 42		
5.	308-400D	SPACER 1 1/4OD X 13/16ID X 2LG		
6.	310-020S	LOWER HITCH PIN		
7.	802-064C	HHCS 3/4-10X2 GR5		
8.	802-069C	HHCS 3/4-10X5 GR5		
9.	802-813C	PLOW 5/8-11X1 1/4 GR5		
10.	803-027C	NUT HEX 3/4-10 PLT		
11.	803-304C	NUT HEX WHIZ 5/8-11 PLT		
12.	804-023C	WASHER LOCK SPRING 3/4 PLT		
13.	805-015C	PIN LINCH 5/16 X 1 3/4		
14.	805-032C	PIN HAIR COTTER .148 WIRE		
15.	805-041C	PIN ROLL 1/4X1 3/4		
16.	805-081C	PIN HTCH .75X4.25 USBL W/PIN	Includes Hair Pin Cotter	
17.	805-197C	PIN BENT .63X3.09 USBL		
17.	805-495C	PIN BENT .63X4.09 USBL	(S/N 1251313+) For the 60", 66" & 72" machines only. This longer pin is used where shanks are retained between the hitch lugs.	
18.	805-198C	PIN CLVS HDLS .88X3.08 USBL		
19.	820-039C	GRADER BLADE 1/2 X 6 X 47 1/2		
19.	820-040C	GRADER BLADE 1/2 X 6 X 53 1/2		

Land Pride  
BB15 & BB25 SERIES[Table of Contents](#)   [Part Number Index](#)

Complete Assembly

***BB15 Fixed Bar Scraper S/N 633956+ (continued)*****Applies to BB1542, BB1548, BB1554, BB1560, BB1566, BB1572**

<b>Ref</b>	<b>Part No.</b>	<b>Part Description</b>	<b>Comments</b>	<b>Revision</b>
19.	820-041C	GRADER BLADE 1/2 X 6 X 59 1/2		
19.	820-042C	GRADER BLADE 1/2 X 6 X 65 1/2		
19.	820-043C	GRADER BLADE 1/2 X 6 X 71 1/2		
20.	820-050C	SHANK TIP DIMPLE-ON NARROW	Standard Tip	
21.	820-152C	SCARIFIER SHANK - 18 W/TIP	Optional Tip	
22.	820-153C	SHANK TIP DIMPLE-ON WIDE FLARE		

***BB15 Fixed Bar Scraper S/N 633956+ (continued)***

---

Applies to BB1542, BB1548, BB1554, BB1560, BB1566, BB1572

*This Page Intentionally Left Blank*



**BB25 Fixed Bar Scraper****Applies to BB2560, BB2566, BB2572, BB2584, BB2596**

Ref	Part No.	Part Description	Comments	Revision
	Dwg 14621	Drawing Image Number		
1.	303-075H	N/A	BB2560 with rear gate option. S/N 633956-	
1.	303-060H	N/A	BB2584 with rear gate option. S/N 633956-	
1.	303-065H	N/A	BB2596 with rear gate option. S/N 633956-	
1.	303-004H	N/A	BB2566 with rear gate option. S/N 633956-	
1.	303-005H	N/A	BB2572 with rear gate option. S/N 633956-	
1.	303-283H	BB2560 FRAME WLD	S/N 633957+	
1.	303-283H82	BB2560 FRAME WLD ORANGE	S/N 633957+	
1.	303-094H	RPBY 303-283H	With rear blade. S/N 633956-	
1.	303-284H	BB2566 FRAME WLD	S/N 633957+	
1.	303-284H82	BB2566 FRAME WLD ORANGE	S/N 633957+	
1.	303-095H	RPBY 303-284H	With rear blade. S/N 633956-	
1.	303-285H	BB2572 FRAME WLD	S/N 633957+	
1.	303-285H82	BB2572 FRAME WLD ORANGE	S/N 633957+	
1.	303-096H	RPBY 303-285H	With rear blade. S/N 633956-	
1.	303-286H	BB2584 FRAME WLD	S/N 633957+	
1.	303-286H82	BB2584 FRAME WLD ORANGE	S/N 633957+	
1.	303-097H	RPBY 303-286H	With rear blade. S/N 633956-	
1.	303-287H	BB2596 FRAME WLD	S/N 633957+	
1.	303-287H82	BB2596 FRAME WLD ORANGE	S/N 633957+	
1.	303-098H	RPBY 303-287H	With rear blade. S/N 633956-	
2.	303-084D	TOP HITCH REAR BRACE	(S/N 273900+)	Rev. 2 not compat. w/Rev. 1.
2.	303-084D85	TOP HITCH REAR BRACE BLACK		
2.	303-084D82	TOP HITCH REAR BRACE ORANGE		
2.	303-034D	HITCH BRACE	(S/N 273899-)	Rev. 1
3.	308-400D	SPACER 1 1/4OD X 25/32ID X 2LG	(S/N 273900+)	Rev. 2 not compat. w/Rev. 1.
3.	303-037D	TOP HITCH SPACER	(S/N 273899-)	Rev. 1
4.	802-069C	HHCS 3/4-10X5 GR5	(S/N 273900+)	Rev. 2 not compat. w/Rev. 1.
4.	802-068C	HHCS 3/4-10X4 GR5	(S/N 273899-)	Rev. 1
5.	804-023C	WASHER LOCK SPRING 3/4 PLT		
6.	803-027C	NUT HEX 3/4-10 PLT		
7.	303-017S	LOWER HITCH PIN 7/8 X 5 5/8		
8.	805-207C	PIN 7/8 OD X 4 15/32 USABLE		Rev. 2
8.	303-044D	RPBY 805-207C		Rev 1; Use up stock
9.	805-041C	PIN ROLL 1/4X1 3/4		
10.	805-015C	PIN LYNCH 5/16 X 1 3/4		
11.	303-086D	BB25 HEAVY RH HITCH PLATE	(S/N 273900+)	Rev. 2 not compat. w/Rev. 1.
11.	303-086D85	BB25 HEAVY RH HITCH PLATE BLACK		
11.	303-086D82	BB25 HVY RH HITCH PLATE ORANGE		
11.	303-032D	RH HITCH PLATE	(S/N 273899-)	Rev. 1
12.	303-085D	BB25 HEAVY LH HITCH PLATE	(S/N 273900+)	Rev. 2 not compat. w/Rev. 1.
12.	303-085D85	BB25 HEAVY LH HITCH PLATE BLACK		
12.	303-085D82	BB25 HVY LH HITCH PLATE ORANGE		
12.	303-033D	LH HITCH PLATE	(S/N 273899-)	Rev. 1
13.	802-064C	HHCS 3/4-10X2 GR5		
14.	820-152C	SCARIFIER SHANK - 18 W/TIP	(S/N 162205+)	Rev. 2
14.	820-044C	RPBY 820-152C	(S/N 162204-)	Rev 1; Use up stock
15.	820-153C	SHANK TIP DIMPLE-ON WIDE FLARE	Optional Tip	Rev. 2 not compat. w/Rev. 1.
16.	805-197C	PIN BENT SHANK LOCK 5/8 OD		Rev. 2
16.	303-038D	RPBY 805-197C		Rev 1; Use up stock
17.	805-032C	PIN HAIR COTTER .148 WIRE		
18.	820-041C	GRADER BLADE 1/2 X 6 X 59 1/2		
18.	820-042C	GRADER BLADE 1/2 X 6 X 65 1/2		

Land Pride  
BB15 & BB25 SERIES[Table of Contents](#)   [Part Number Index](#)

Complete Assembly

***BB25 Fixed Bar Scraper (continued)*****Applies to BB2560, BB2566, BB2572, BB2584, BB2596**

<b>Ref</b>	<b>Part No.</b>	<b>Part Description</b>	<b>Comments</b>	<b>Revision</b>
18.	820-043C	GRADER BLADE 1/2 X 6 X 71 1/2		
18.	820-046C	GRADER BLADE 1/2 X 6 X 83 1/2		
18.	820-035C	GRADER BLADE 1/2 X 6 X 95 1/2		
19.	802-813C	PLOW 5/8-11X1 1/4 GR5		
20.	803-304C	NUT HEX WHIZ 5/8-11 PLT	S/N 815206+	
20.	803-263C	NUT HEX FLANGE LOCK 5/8-11 PLT	S/N 815205-	
21.	805-081C	PIN HITCH 3/4 X 4 3/8	(S/N 363809+) BB25; Includes hair pin cotter	
22.	820-050C	SHANK TIP DIMPLE-ON NARROW	Standard Tip	



***BB25 Fixed Bar Scraper (continued)***

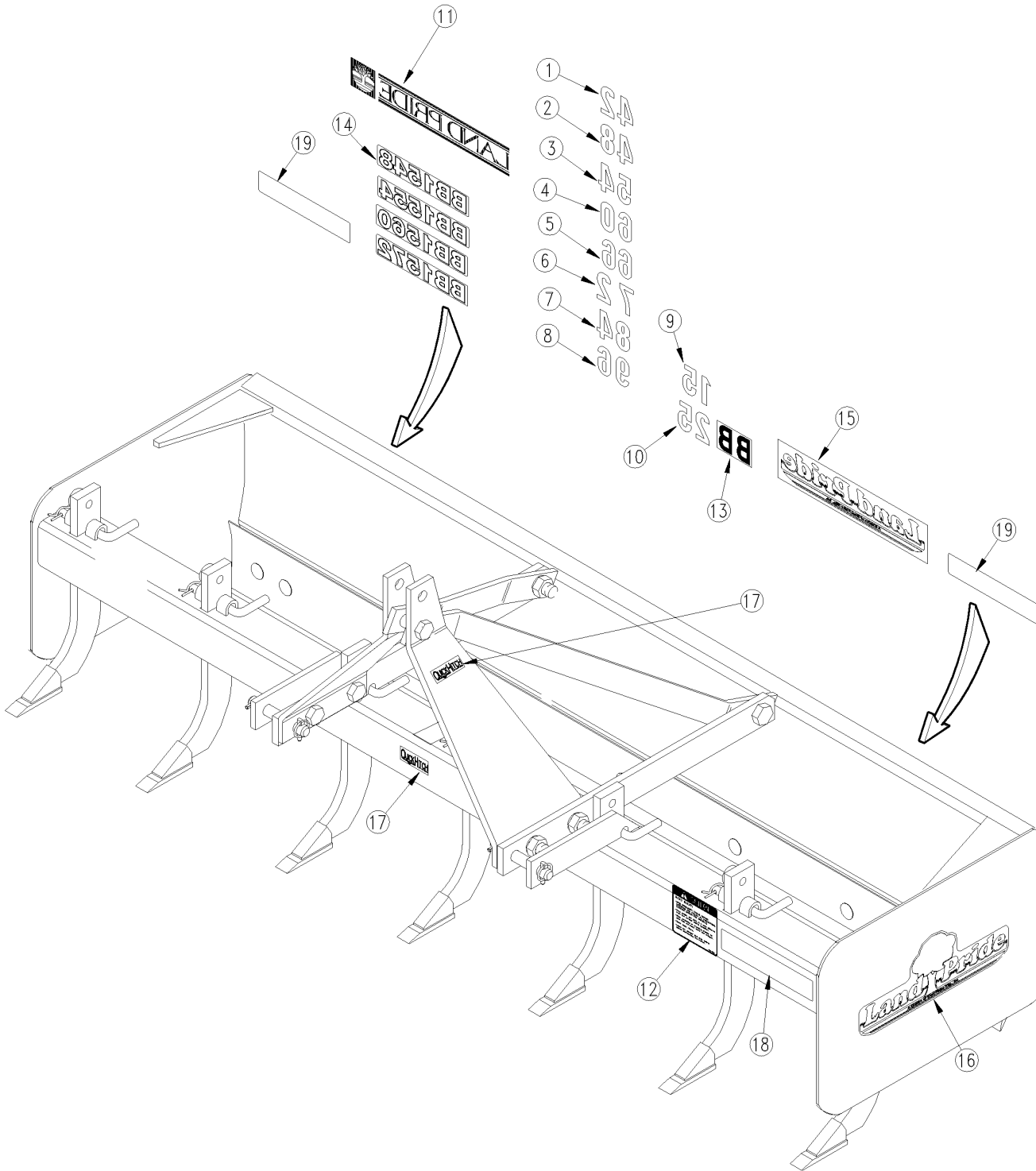
---

Applies to BB2560, BB2566, BB2572, BB2584, BB2596

***This Page Intentionally Left Blank***

### Decal Placement

Applies to BB1542, BB1548, BB1554, BB1560, BB1566, BB1572, BB2560, BB2566, BB2572, BB2584, BB2596



17566

**Decal Placement****Applies to BB1542, BB1548, BB1554, BB1560, BB1566, BB1572, BB2560, BB2566, BB2572, BB2584, BB2596**

Ref	Part No.	Part Description	Comments	Revision
	Dwg 17566	Drawing Image Number		
	303-078A	BB1542 DECAL PACKAGE		
	303-032A	BB1548 DECALS		
	303-074A	BB1554 DECALS		
	303-037A	BB1560 DECALS		
	303-079A	BB1572 DECAL PACKAGE		
	303-077A	BB2560 DECALS		
	303-047A	BB2566 DECALS		
	303-052A	BB2572 DECALS		
	303-080A	BB2584 DECAL PACKAGE		
	303-081A	BB2596 DECAL PACKAGE		
		*		
1.	818-168C	DECAL 42 LP - BLACK	(S/N 252285-)	
2.	818-087C	DECAL 48 LP - BLACK	(S/N 252285-)	
3.	818-088C	DECAL 54 LP - BLACK	(S/N 252285-)	
4.	818-090C	DECAL 60 LP - BLACK	(S/N 252285-)	
5.	818-091C	DECAL 66 LP - BLACK	(S/N 252285-)	
6.	818-092C	DECAL 72 LP - BLACK	(S/N 252285-) Obsolete	
7.	818-094C	DECAL 84 LP - BLACK	(S/N 252285-)	
8.	818-099C	DECAL 96 LP - BLACK	(S/N 252285-)	
9.	818-084C	DECAL 15 SERIES LP - BLACK	(S/N 252285-) Obsolete	
10.	818-085C	N/A	Obsolete (S/N 252285-)	
11.	818-162C	LP LOGO LARGE GREEN	(S/N 252285-)	
12.	818-267C	DECAL CAUTION - BOX SCRAPER		
13.	818-725C	DECAL BB LAND PRIDE BLACK	(S/N 252285-)	
14.	838-006C	DECAL BB1548-BROWN	(S/N 252286+) Beige Unit	
14.	838-927C	DECAL BB1548-GOLD	Green, Orange, Red & Blue Unit	
14.	838-861C	DECAL BB1548-BEIGE	Black Unit	
14.	838-007C	DECAL BB1554-BROWN	(S/N 252286+) Beige Unit	
14.	838-928C	DECAL BB1554-GOLD	Green, Orange, Red & Blue Unit	
14.	838-852C	DECAL BB1554-BEIGE	Black Unit	
14.	838-008C	DECAL BB1560-GOLD	S/N 252286+	
14.	838-929C	RPBY 838-008C	Obsolete	
14.	838-853C	DECAL BB1560-BEIGE	Black Unit	
14.	848-287C	DECAL, BB1566 GOLD		
14.	848-288C	RPBY 848-287C	Obsolete	
14.	848-289C	DECAL, BB1566 BEIGE	Black Unit	
14.	838-009C	DECAL BB1572-GOLD	S/N 252286+	
14.	838-930C	RPBY 838-009C	Obsolete	
14.	838-854C	DECAL BB1572-BEIGE	Black Unit	
14.	838-010C	DECAL BB2560-GOLD	S/N 252286+	
14.	838-855C	DECAL BB2560-BEIGE	Black Unit	
14.	848-178C	RPBY 838-010C	Obsolete	
14.	838-011C	DECAL BB2566-GOLD	S/N 252286+	
14.	838-856C	DECAL BB2566-BEIGE	Black Unit	
14.	848-179C	RPBY 838-011C	Obsolete	
14.	838-012C	DECAL BB2572-GOLD	S/N 252286+	
14.	838-857C	DECAL BB2572-BEIGE	Black Unit	
14.	848-180C	RPBY 838-012C	Obsolete	
14.	838-013C	DECAL BB2584-GOLD	S/N 252286+	
14.	838-858C	DECAL BB2584-BEIGE	Black Unit	
14.	848-181C	RPBY 838-013C	Obsolete	
14.	838-014C	DECAL BB2596-GOLD	S/N 252286+	
14.	838-859C	DECAL BB2596-BEIGE	Black Unit	
14.	848-182C	RPBY 838-014C	Obsolete	
15.	818-901C	RPBY 838-965C	(S/N 252286+) Beige Unit	
15.	838-965C	DECAL LANDPRIDE 16" BROWN/GOLD	Green, Orange, Red, Blue & Black Unit	

Land Pride  
BB15 & BB25 SERIES[Table of Contents](#)   [Part Number Index](#)

Complete Assembly

***Decal Placement (continued)*****Applies to BB1542, BB1548, BB1554, BB1560, BB1566, BB1572, BB2560, BB2566, BB2572, BB2584, BB2596**

<b>Ref</b>	<b>Part No.</b>	<b>Part Description</b>	<b>Comments</b>	<b>Revision</b>
16.	818-893C	RPBY 838-964C	(S/N 252286+) Beige Unit (Both End Plates S/N _____+)	Rev. 2 not compat. w/Rev. 1.
16.	838-964C	DECAL LP 16" W/TREE BROWN/GOLD	Green, Orange, Red, Blue & Black	
16.	818-162C	LP LOGO LARGE GREEN	(S/N 252285-)	Rev. 1
17.	838-517C	DECAL QUICK HITCH SYSTEM		
18.	838-615C	DECAL REFLECTOR AMBER 2X9	BB2596 only (S/N 814044+)	
19.	838-614C	DECAL REFLECTOR RED 2X9	BB2596 only (S/N 814044+)	

***Decal Placement (continued)***

---

Applies to BB1542, BB1548, BB1554, BB1560, BB1566, BB1572, BB2560, BB2566, BB2572, BB2584, BB2596

***This Page Intentionally Left Blank***

***Land Pride Touch-up Paints***

---

Applies to BB1542, BB1548, BB1554, BB1560, BB1566, BB1572, BB2560, BB2566, BB2572, BB2584, BB2596

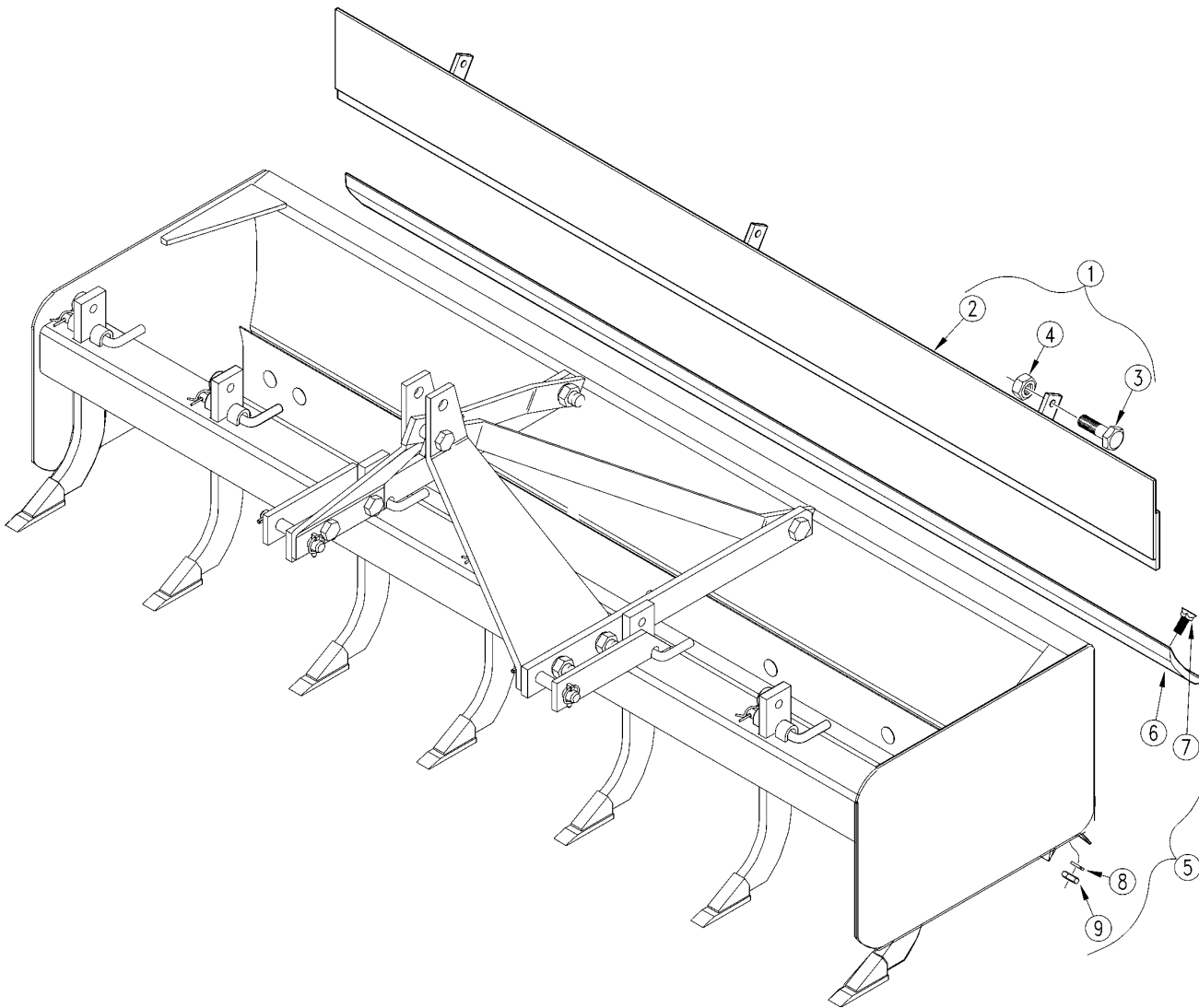
**No diagram associated with this Parts List**

**Land Pride Touch-up Paints****Applies to BB1542, BB1548, BB1554, BB1560, BB1566, BB1572, BB2560, BB2566, BB2572, BB2584, BB2596**

Ref	Part No.	Part Description	Comments	Revision
1.	821-011C	LP BEIGE SPRAY CAN	Spray can	
1.	821-011CTU	LP BEIGE TOUCH-UP 5OZ	Touch-up bottle with brush	
1.	821-011CQT	LP BEIGE QUART	Quart can	
1.	821-011CGL	LP BEIGE GALLON	Gallon can	
2.	821-070C	GLOSS BLACK SPRAY CAN	Spray can	
2.	821-070CTU	GLOSS BLACK TOUCH-UP 5OZ	Touch-up bottle with brush	
2.	821-070CQT	GLOSS BLACK QUART	Quart can	
2.	821-070CGL	GLOSS BLACK GALLON	Gallon can	
3.	821-054C	MED. RED SPRAY TRCK/CTR	Spray can	
3.	821-054CTU	MED RED TOUCH-UP 5OZ	Touch-up bottle with brush	
3.	821-054CQT	MED RED QUART	Quart can	
3.	821-054CGL	MED RED GALLON	Gallon can	
4.	821-058C	GREEN SPRAY CUTTERS	Spray can	
4.	821-058CTU	GREEN TOUCH-UP 5OZ	Touch-up bottle with brush	
4.	821-058CQT	GREEN QUART	Quart can	
4.	821-058CGL	GREEN GALLON	Gallon can	
5.	821-066C	ORANGE SPRAY CAN	Spray can	
5.	821-066CTU	ORANGE TOUCH-UP 5OZ	Touch-up bottle with brush	
5.	821-066CQT	ORANGE QUART	Quart can	
5.	821-066CGL	ORANGE GALLON	Gallon can	
6.	821-067C	BLUE SPRAY CAN	Spray can	
6.	821-067CTU	BLUE TOUCH-UP 5OZ	Touch-up bottle with brush	
6.	821-067CQT	BLUE QUART	Quart can	
6.	821-067CGL	BLUE GALLON	Gallon can	
7.	821-080C	PAINT ALUMINUM/ZINC SPRAY CAN	Spray can	
7.	821-080CTU	PAINT ALUMINUM/ZINC TOUCH UP	Touch-up bottle with brush	
7.	821-080CQT	PAINT ALUMINUM/ZINC QUART	Quart can	
7.	821-080CGL	PAINT ALUMINUM/ZINC GALLON	Gallon can	

Land Pride  
BB15 & BB25 SERIES**[Table of Contents](#)   [Part Number Index](#)**

Complete Assembly

***Rear Hinge And Rear Grader Blade*****Applies to BB1542, BB1548, BB1554, BB1560, BB1572, BB2560, BB2566, BB2572, BB2584, BB2596**

14241



**Rear Hinge And Rear Grader Blade****Applies to BB1542, BB1548, BB1554, BB1560, BB1572, BB2560, BB2566, BB2572, BB2584, BB2596**

Ref	Part No.	Part Description	Comments	Revision
	Dwg 14241	Drawing Image Number		
1.	303-058A	42 HINGED REAR GATE ASSY		
1.	303-058A81	42 HINGED REAR GATE ASSY GREEN		
1.	303-058A82	42 HINGED REAR GATE ASSY ORANGE		
1.	303-058A83	42 HINGED REAR GATE ASSY RED		
1.	303-058A84	42 HINGED REAR GATE ASSY BLUE		
1.	303-058A85	42 HINGED REAR GATE ASSY BLACK		
1.	303-018A	48 HINGED REAR GATE ASSEMBLY		
1.	303-018A81	48 HINGED REAR GATE ASSEMBLY GREEN		
1.	303-018A82	48 HINGED REAR GATE ASSEMBLY ORANGE		
1.	303-018A83	48 HINGED REAR GATE ASSEMBLY RED		
1.	303-018A84	48 HINGED REAR GATE ASSEMBLY BLUE		
1.	303-018A85	48 HINGED REAR GATE ASSEMBLY BLACK		
1.	303-019A	54 HINGED REAR GATE ASSEMBLY		
1.	303-019A81	54 HINGED REAR GATE ASSEMBLY GREEN		
1.	303-019A82	54 HINGED REAR GATE ASSEMBLY ORANGE		
1.	303-019A83	54 HINGED REAR GATE ASSEMBLY RED		
1.	303-019A84	54 HINGED REAR GATE ASSEMBLY BLUE		
1.	303-019A85	54 HINGED REAR GATE ASSEMBLY BLACK		
1.	303-020A	60 HINGED REAR GATE ASSEMBLY		
1.	303-020A81	60 HINGED REAR GATE ASSEMBLY GREEN		
1.	303-020A82	60 HINGED REAR GATE ASSEMBLY ORANGE		
1.	303-020A83	60 HINGED REAR GATE ASSEMBLY RED		
1.	303-020A84	60 HINGED REAR GATE ASSEMBLY BLUE		
1.	303-020A85	60 HINGED REAR GATE ASSEMBLY BLACK		
1.	303-021A	66 HINGED REAR GATE ASSEMBLY		
1.	303-021A81	66 HINGED REAR GATE ASSEMBLY GREEN		
1.	303-021A82	66 HINGED REAR GATE ASSEMBLY ORANGE		
1.	303-021A83	66 HINGED REAR GATE ASSEMBLY RED		
1.	303-021A84	66 HINGED REAR GATE ASSEMBLY BLUE		
1.	303-021A85	66 HINGED REAR GATE ASSEMBLY BLACK		
1.	303-022A	72 HINGED REAR GATE ASSEMBLY		
1.	303-022A81	72 HINGED REAR GATE ASSEMBLY GREEN		
1.	303-022A82	72 HINGED REAR GATE ASSEMBLY ORANGE		
1.	303-022A83	72 HINGED REAR GATE ASSEMBLY RED		
1.	303-022A84	72 HINGED REAR GATE ASSEMBLY BLUE		
1.	303-022A85	72 HINGED REAR GATE ASSEMBLY BLACK		
1.	303-063A	84 REAR HINGED GATE ASS'Y		
1.	303-063A81	84 REAR HINGED GATE ASS'Y GREEN		
1.	303-063A82	84 REAR HINGED GATE ASS'Y ORANGE		
1.	303-063A83	84 REAR HINGED GATE ASS'Y RED		
1.	303-063A84	84 REAR HINGED GATE ASS'Y BLUE		
1.	303-063A85	84 REAR HINGED GATE ASS'Y BLACK		
1.	303-068A	96 REAR HINGED GATE ASSY		
1.	303-068A81	96 REAR HINGED GATE ASSY		
1.	303-068A82	96 REAR HINGED GATE ASSY		
1.	303-068A83	96 REAR HINGED GATE ASSY		
1.	303-068A84	96 REAR HINGED GATE ASSY		
1.	303-068A85	96 REAR HINGED GATE ASSY		
2.	303-055H	42 REAR HINGED GATE		
2.	303-055H81	42 REAR HINGED GATE GREEN		
2.	303-055H82	42 REAR HINGED GATE ORANGE		
2.	303-055H83	42 REAR HINGED GATE RED		
2.	303-055H84	42 REAR HINGED GATE BLUE		
2.	303-055H85	42 REAR HINGED GATE BLACK		
2.	303-006H	48 REAR HINGED BLADE		
2.	303-006H81	48 REAR HINGED BLADE GREEN		
2.	303-006H82	48 REAR HINGED BLADE ORANGE		

Land Pride  
BB15 & BB25 SERIES[Table of Contents](#)   [Part Number Index](#)

Complete Assembly

**Rear Hinge And Rear Grader Blade (continued)****Applies to BB1542, BB1548, BB1554, BB1560, BB1572, BB2560, BB2566, BB2572, BB2584, BB2596**

Ref	Part No.	Part Description	Comments	Revision
2.	303-006H83	48 REAR HINGED BLADE RED		
2.	303-006H84	48 REAR HINGED BLADE BLUE		
2.	303-006H85	48 REAR HINGED BLADE BLACK		
2.	303-007H	54 REAR HINGED BLADE		
2.	303-007H81	54 REAR HINGED BLADE GREEN		
2.	303-007H82	54 REAR HINGED BLADE ORANGE		
2.	303-007H83	54 REAR HINGED BLADE RED		
2.	303-007H84	54 REAR HINGED BLADE BLUE		
2.	303-007H85	54 REAR HINGED BLADE BLACK		
2.	303-008H	60 REAR HINGED BLADE		
2.	303-008H81	60 REAR HINGED BLADE GREEN		
2.	303-008H82	60 REAR HINGED BLADE ORANGE		
2.	303-008H84	60 REAR HINGED BLADE BLUE		
2.	303-008H83	60 REAR HINGED BLADE RED		
2.	303-008H85	60 REAR HINGED BLADE BLACK		
2.	303-009H	66 REAR HINGED BLADE		
2.	303-009H81	66 REAR HINGED BLADE GREEN		
2.	303-009H82	66 REAR HINGED BLADE ORANGE		
2.	303-009H83	66 REAR HINGED BLADE RED		
2.	303-009H84	66 REAR HINGED BLADE BLUE		
2.	303-009H85	66 REAR HINGED BLADE BLACK		
2.	303-010H	72 REAR HINGED BLADE		
2.	303-010H81	72 REAR HINGED BLADE GREEN		
2.	303-010H82	72 REAR HINGED BLADE ORANGE		
2.	303-010H83	72 REAR HINGED BLADE RED		
2.	303-010H84	72 REAR HINGED BLADE BLUE		
2.	303-010H85	72 REAR HINGED BLADE BLACK		
2.	303-061H	84 REAR HINGED GATE		
2.	303-061H81	84 REAR HINGED GATE GREEN		
2.	303-061H82	84 REAR HINGED GATE ORANGE		
2.	303-061H83	84 REAR HINGED GATE RED		
2.	303-061H84	84 REAR HINGED GATE BLUE		
2.	303-061H85	84 REAR HINGED GATE BLACK		
2.	303-066H	96 HINGED REAR GATE WELD.		
2.	303-066H81	96 HINGED REAR GATE WELD. GREEN		
2.	303-066H82	96 HINGED REAR GATE WELD. ORANGE		
2.	303-066H83	96 HINGED REAR GATE WELD. RED		
2.	303-066H84	96 HINGED REAR GATE WELD. BLUE		
2.	303-066H85	96 HINGED REAR GATE WELD. BLACK		
3.	802-082C	HHCS 1/2-13X1 3/4 GR5		
4.	803-019C	NUT LOCK 1/2-13 PLT		
5.	303-059A	42 REAR GRADER BLADE ASSY		
5.	303-023A	48-1/2 X 6 GRADE BLADE ASSY		
5.	303-024A	54-1/2 X 6 GRADER BLADE ASSY		
5.	303-025A	60-1/2 X 6 GRADER BLADE ASSY		
5.	303-026A	66-1/2 X 6 GRADER BLADE ASSY		
5.	303-027A	72-1/2 X 6 GRADER BLADE ASSY		
5.	303-064A	84 REAR GRADER BLADE ASS'Y		
5.	303-069A	96 GRADER BLADE ASSY		
6.	820-069C	GRADER BLADE 1/2 X 6 X 41 1/2		
6.	820-039C	GRADER BLADE 1/2 X 6 X 47 1/2		
6.	820-040C	GRADER BLADE 1/2 X 6 X 53 1/2		
6.	820-041C	GRADER BLADE 1/2 X 6 X 59 1/2		
6.	820-042C	GRADER BLADE 1/2 X 6 X 65 1/2		
6.	820-043C	GRADER BLADE 1/2 X 6 X 71 1/2		
6.	820-046C	GRADER BLADE 1/2 X 6 X 83 1/2		
6.	820-035C	GRADER BLADE 1/2 X 6 X 95 1/2		
7.	802-236C	PLOW 5/8-11X1 1/2 GR5		

***Rear Hinge And Rear Grader Blade (continued)***

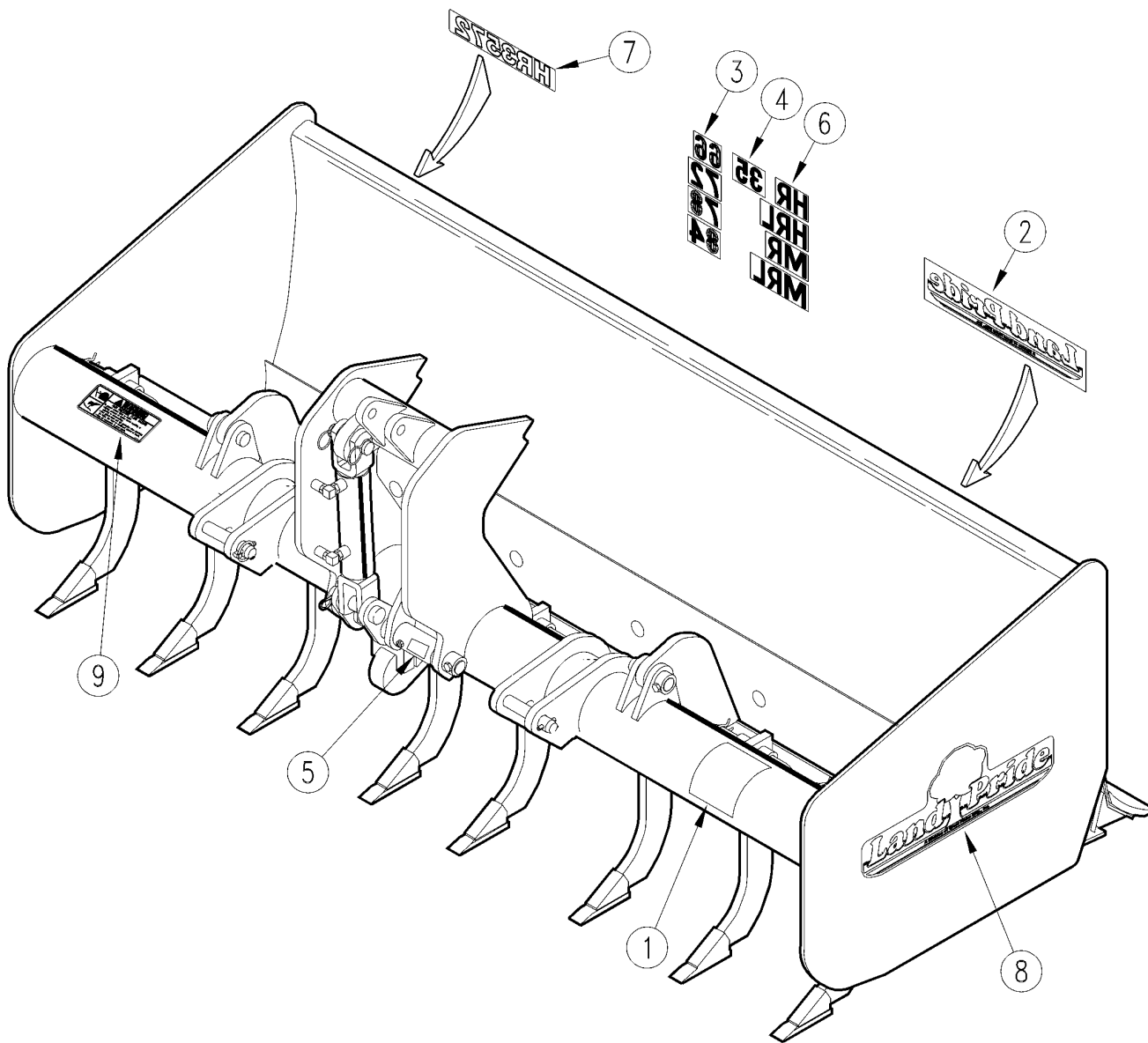
---

**Applies to BB1542, BB1548, BB1554, BB1560, BB1572, BB2560, BB2566, BB2572, BB2584, BB2596**

<b>Ref</b>	<b>Part No.</b>	<b>Part Description</b>	<b>Comments</b>	<b>Revision</b>
8.	804-022C	WASHER LOCK SPRING 5/8 PLT		
9.	803-021C	NUT HEX 5/8-11 PLT		

### Decal Placement

Applies to HR3566, HR3572, HR3578, HR3584, HRL3572, HRL3578



## Decal Placement

**Applies to HR3566, HR3572, HR3578, HR3584, HRL3572, HRL3578**

Ref	Part No.	Part Description	Comments	Revision
	Dwg 17567	Drawing Image Number		
	305-027A	MR3566 DECAL PACKAGE		
	305-032A	MR3572 DECAL PACKAGE		
	305-037A	MR3578 DECAL PACKAGE		
	305-042A	MR3584 DECAL PACKAGE		
	305-049A	HR3566 DECAL PACKAGE		
	305-050A	HR3572 DECAL PACKAGE		
	305-051A	HR3578 DECAL PACKAGE		
	305-052A	HR3584 DECAL PACKAGE		
	305-057A	HRL3572 DECAL PACKAGE		
	305-058A	HRL3578 DECAL PACKAGE		
	305-059A	MRL3572 DECAL PACKAGE		
	305-060A	MRL3578 DECAL PACKAGE		
		*		
1.	818-267C	DECAL CAUTION - BOX SCRAPER		
2.	818-901C	RPBY 838-965C	(S/N 252286+) Beige Unit	Rev. 2 not compat. w/Rev. 1.
2.	838-965C	DECAL LANDPRIDE 16" BROWN/GOLD	Black Unit & Orange Unit	
2.	818-162C	LP LOGO LARGE GREEN	(S/N 252285-)	Rev. 1
3.	818-091C	DECAL 66 LP - BLACK	(S/N 252285-)	
3.	818-092C	DECAL 72 LP - BLACK	(S/N 252285-) Obsolete	
3.	818-093C	DECAL 78 LP - BLACK	(S/N 252285-)	
3.	818-094C	DECAL 84 LP - BLACK	(S/N 252285-)	
4.	818-086C	DECAL 35 SERIES LP - BLACK	(S/N 252285-) Obsolete	
5.	818-138C	DECAL GREASE EVERY 25 HOURS		
6.	818-733C	DECAL HR LAND PRIDE BLACK	(S/N 252285-)	
6.	818-734C	DECAL HRL LAND PRIDE BLACK	(S/N 252285-)	
6.	818-736C	DECAL MR LAND PRIDE BLACK	(S/N 252285-)	
6.	818-737C	DECAL MRL LAND PRIDE BLACK	(S/N 252285-)	
7.	838-015C	DECAL MR3572-BROWN	(S/N 252286+) Beige Unit	
7.	838-866C	DECAL MR3572-BEIGE	Black Unit	
7.	848-183C	DECAL MR3572-GOLD	Orange Unit	
7.	838-016C	DECAL MR3578-BROWN	(S/N 252286+) Beige Unit	
7.	838-867C	DECAL MR3578-BEIGE	Black Unit	
7.	838-017C	DECAL MR3584-BROWN	(S/N 252286+) Beige Unit	
7.	838-869C	DECAL MR3584-BEIGE	Black Unit	
7.	848-184C	DECAL MR3584-GOLD	Orange Unit	
7.	838-018C	DECAL HR3572-BROWN	(S/N 252286+) Beige Unit	
7.	838-870C	DECAL HR3572-BEIGE	Black Unit	
7.	848-185C	DECAL HR3572-GOLD	Orange Unit	
7.	838-019C	DECAL HR3584-GOLD	S/N 252286+	
7.	838-871C	DECAL HR3584-BEIGE	Black Unit	
7.	848-186C	RPBY 838-019C	Obsolete	
7.	838-020C	DECAL MRL3566-BROWN	(S/N 252286+) Beige Unit	
7.	838-872C	DECAL MRL3566-BEIGE	Black Unit	
7.	838-021C	DECAL MRL3572-BROWN	(S/N 252286+) Beige Unit	
7.	838-873C	N/A	(Obsolete) Black Unit	
7.	848-187C	DECAL MRL3572-GOLD	Orange Unit	
7.	838-022C	DECAL MRL3578-BROWN	(S/N 252286+) Beige Unit	
7.	838-874C	DECAL MRL3578-BEIGE	Black Unit	
7.	848-188C	DECAL MRL3578-GOLD	Orange Unit	
7.	838-023C	DECAL HRL3572-BROWN	(S/N 252286+) Beige Unit	
7.	838-857C	DECAL HRL3572-BEIGE	Black Unit	
7.	848-189C	DECAL HRL3572-GOLD	Orange Unit	
7.	838-024C	DECAL HRL3578-GOLD	(S/N 252286+) Beige Unit	
7.	838-876C	DECAL HRL3578-BEIGE	Black Unit	
7.	848-190C	RPBY 838-024C	Obsolete	
8.	818-895C	RPBY 848-450C	(S/N 252286+) Beige Unit (Both End Plates S/N _____+)	Rev. 2 not compat. w/Rev. 1.

Land Pride  
HR(L)35 SERIES[Table of Contents](#)   [Part Number Index](#)

Complete Assembly

***Decal Placement (continued)*****Applies to HR3566, HR3572, HR3578, HR3584, HRL3572, HRL3578**

<b>Ref</b>	<b>Part No.</b>	<b>Part Description</b>	<b>Comments</b>	<b>Revision</b>
8.	848-450C	DECAL LP W/TREE 19" BROWN/GOLD		
8.	838-964C	DECAL LP 16" W/TREE BROWN/GOLD	Black Unit & Orange Unit	
8.	818-162C	LP LOGO LARGE GREEN	(S/N 252285-)	Rev. 1
9.	838-094C	DECAL WARNING HYD PRESS LONG	(S/N 266622+)	

***Decal Placement (continued)***

---

Applies to HR3566, HR3572, HR3578, HR3584, HRL3572, HRL3578

***This Page Intentionally Left Blank***

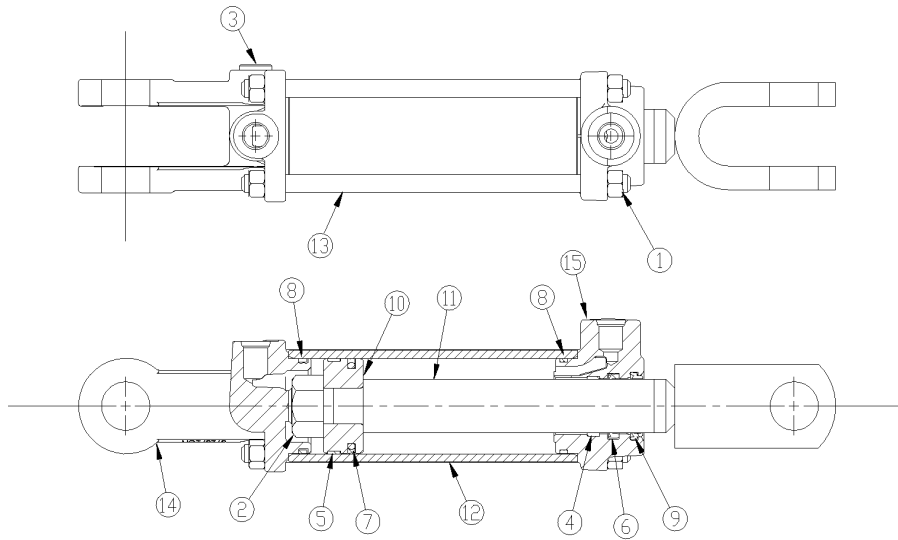
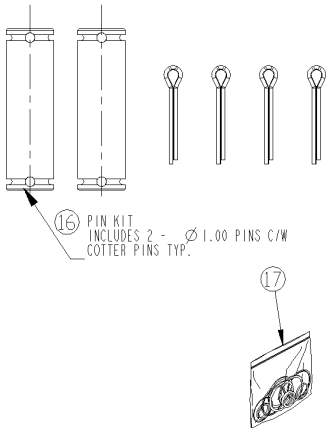
Land Pride  
HR(L)35 SERIES

[Table of Contents](#)   [Part Number Index](#)

Complete Assembly

**Hydraulic Cylinder Double Acting (810-125C) Lion**

Applies to HR3566, HR3572, HR3578, HR3584, HRL3572, HRL3578



13565



***Hydraulic Cylinder Double Acting (810-125C) Lion*****Applies to HR3566, HR3572, HR3578, HR3584, HRL3572, HRL3578**

Ref	Part No.	Part Description	Comments	Revision
	dwg13565	Drawing Image Number		
	810-125C	CYL 2X4X1.12 ROD DBL ACTING *		
1.	803-014C	NUT HEX 3/8-16 PLT		
2.	130556	MON PISTON NUT		
3.	186561	PLUG 9/16-18UNF MORB SOCKET HD		
4.	N/A	MON WEAR RING 1.25-1.13-0.250	In Seal Kit Item #17	
5.	N/A	MON WEAR RING 2.00-1.88-0.260	In Seal Kit Item #17	
6.	N/A	MON SEAL ZURCON U-CUP RU9 1.13	In Seal Kit Item #17	
7.	N/A	MON SEAL ZURCON WYNSEAL 2.00	In Seal Kit Item #17	
8.	N/A	MON SEAL DUAL 2.00-.170	In Seal Kit Item #17	
9.	N/A	MON SEAL WIPER 1.13 WNUC TSS	In Seal Kit Item #17	
10.	258851	MON PISTON 2.00-.75-TSS-ISO-WR		
11.	437208	LION ROD WLDMT 1 1/8X4 STROKE		
12.	491604	LION CYL. TUBE 2 X 4		
13.	492214	MON TIE ROD 3/8-04		
14.	492669	MON CLEVS CAP 2.00-9/16ORB-1.0		
15.	494382	MON ROD CAP 2.0-1.12-9/16ORB-TS		
16.	235005	MON PIN KIT 1.00C/W COTTER PIN		
17.	810-883C	MON SEAL KIT 620271		

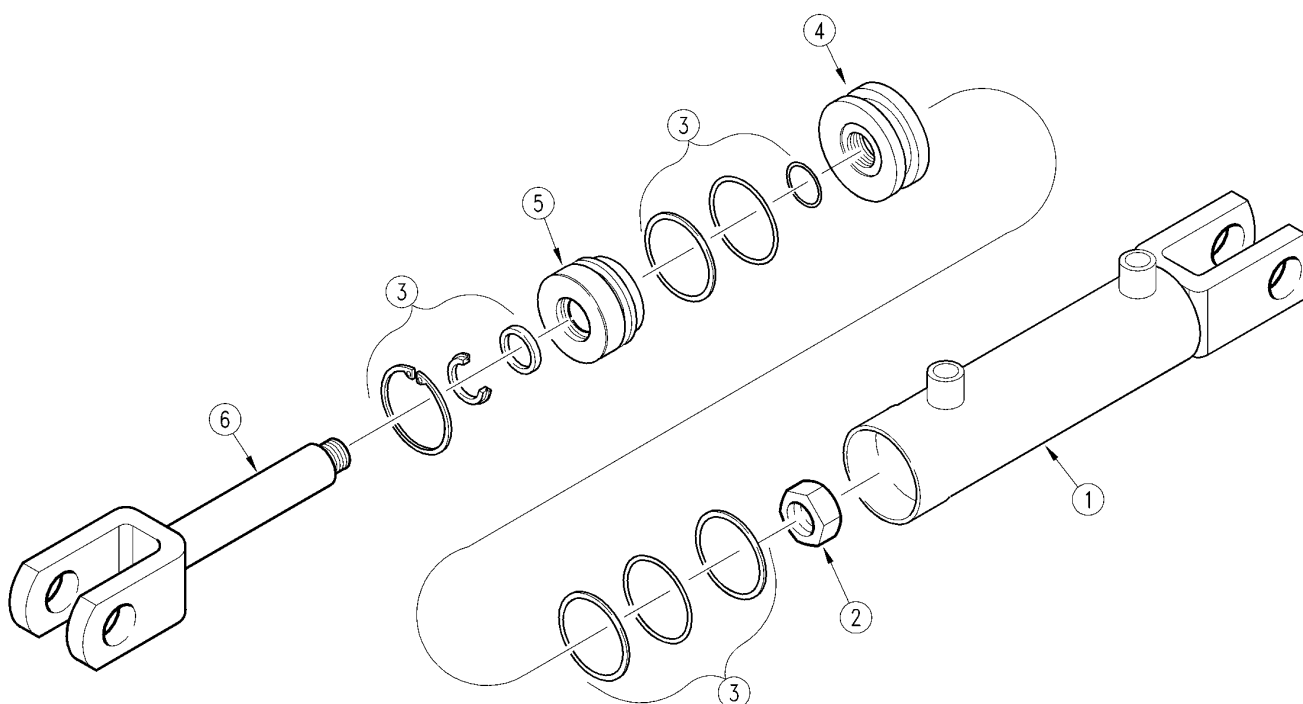
Land Pride  
HR(L)35 SERIES

[Table of Contents](#)   [Part Number Index](#)

Complete Assembly

## Hydraulic Cylinder Double Acting EGY (810-125C)

Applies to HR3566, HR3572, HR3578, HR3584, HRL3572, HRL3578



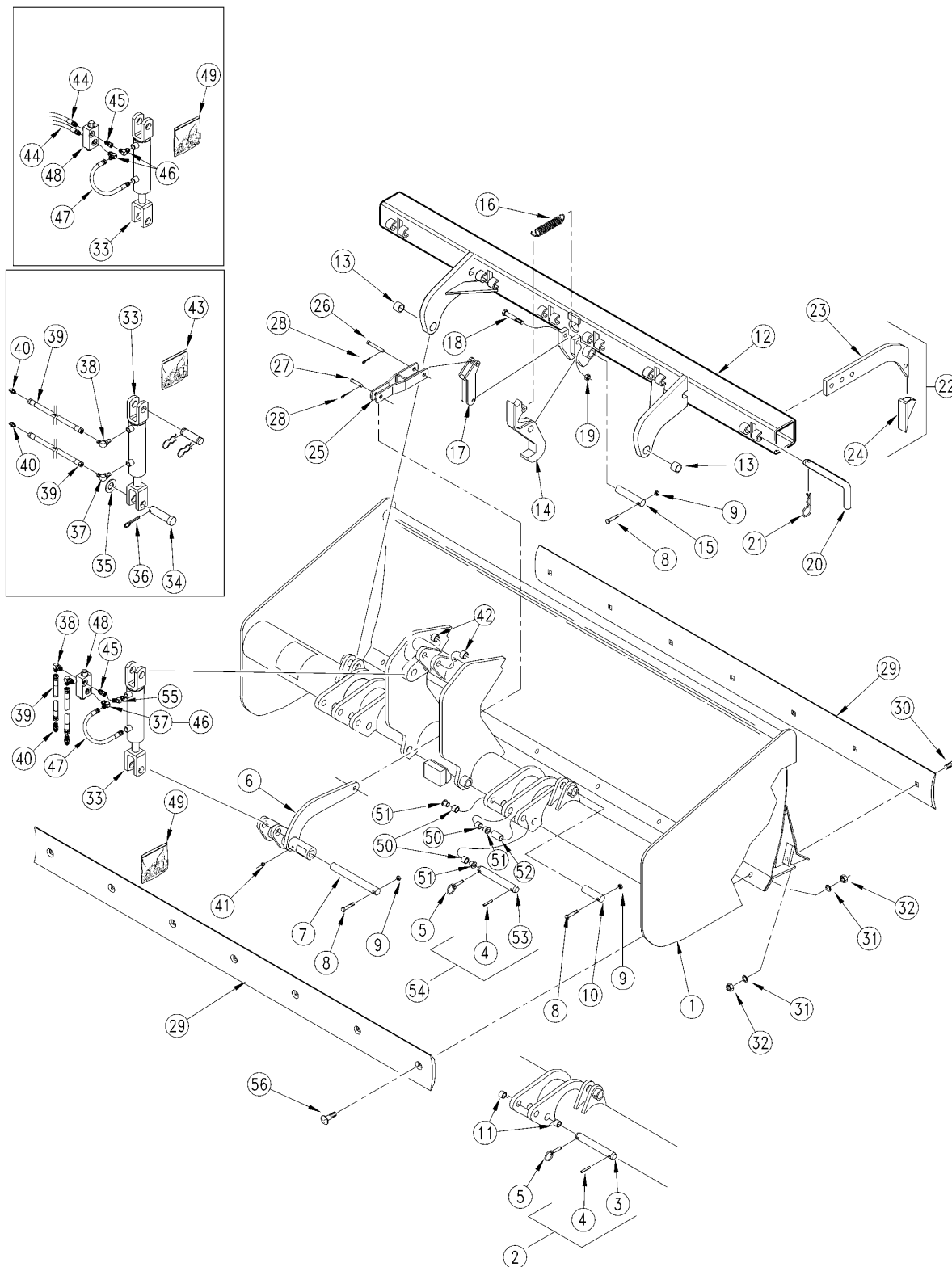
10639

***Hydraulic Cylinder Double Acting EGY (810-125C)*****Applies to HR3566, HR3572, HR3578, HR3584, HRL3572, HRL3578**

<b>Ref</b>	<b>Part No.</b>	<b>Part Description</b>	<b>Comments</b>	<b>Revision</b>
	dwg10639	Drawing Image Number		
	810-125C	CYL 2X4X1.12 ROD DBL ACTING		
1.	12171B	EGY CYL BODY 2 ID W/C		
2.	00080281	EGY NUT HEX JAM 7/8-14 UNF		
3.	810-132C	SEAL KIT 810-125C ENRGY 11888X		
4.	0A001845	EGY PISTON 2 DIA		
5.	11056B	EGY GUIDE 2 OD X 1 1/8 ID		
6.	0B007307-04.12	EGY ROD 1.125 DIA W/C		

# Hydraulic Retractable Box Scraper (S/N 948409-)

Applies to HR3566, HR3572, HR3578, HR3584, HRL3572, HRL3578



10617

**Hydraulic Retractable Box Scraper (S/N 948409-)****Applies to HR3566, HR3572, HR3578, HR3584, HRL3572, HRL3578**

Ref	Part No.	Part Description	Comments	Revision
	Dwg 10617	Drawing Image Number		
1.	305-015H	66 HYDRAULIC RETRACTABLE		
1.	305-015H85	66 HYDRAULIC RETRACTABLE BLACK		
1.	305-044H	72 HYD RETRACTABLE - LOWBACK		
1.	305-044H85	72 HYD RETRACTABLE - LOWBACK BLACK		
1.	305-044H82	72 HYD RETRACT - LOWBACK ORANGE		
1.	305-016H	72 HYDRAULIC RETRACTABLE		
1.	305-016H85	72 HYDRAULIC RETRACTABLE BLACK		
1.	305-016H82	72 HYD RETRACT ORANGE		
1.	305-045H	78 HYD RETRACTABLE - LOWBACK		
1.	305-045H85	78 HYD RETRACTABLE - LOWBACK BLACK		
1.	305-045H82	78 HYD RETRACT - LOWBACK ORANGE		
1.	305-017H	78 HYDRAULIC RETRACTABLE		
1.	305-017H85	78 HYDRAULIC RETRACTABLE BLACK		
1.	305-018H	84 HYDRAULIC RETRACTABLE		
1.	305-018H85	84 HYDRAULIC RETRACTABLE BLACK		
1.	305-018H82	84 HYD RETRACT ORANGE		
2.	303-017S	LOWER HITCH PIN 7/8 X 5 5/8	(S/N 252642-)	
3.	805-207C	PIN 7/8 OD X 4 15/32 USABLE	(S/N 252642-)	Rev. 2
3.	303-044D	RPBY 805-207C		Rev 1; Use up stock
4.	805-041C	PIN ROLL 1/4X1 3/4		
5.	805-015C	PIN LYNCH 5/16 X 1 3/4		
6.	305-012H	CYLINDER PIVOT TUBE		
6.	305-012H85	CYLINDER PIVOT TUBE BLACK		
6.	305-012H82	CYLINDER PIVOT TUBE ORANGE		
7.	305-054D	CYLINDER TUBE SHAFT		
8.	802-152C	HHCS 1/4-20X2 GR5		
9.	803-007C	NUT LOCK 1/4-20 PLT		
10.	305-056D	TOOL BAR UPPER PIVOT PIN		
11.	890-144C	BUSHING 1 1/8 X 7/8 X 5/8	(S/N 252642-)	
12.	305-005H	66 SHANK TUBE		
12.	305-005H85	66 SHANK TUBE BLACK		
12.	305-006H	72 SHANK TUBE		
12.	305-006H85	72 SHANK TUBE BLACK		
12.	305-006H82	72 SHANK TUBE ORANGE		
12.	305-007H	78 SHANK TUBE		
12.	305-007H85	78 SHANK TUBE BLACK		
12.	305-007H82	78 SHANK TUBE ORANGE		
12.	305-008H	84 SHANK TUBE		
12.	305-008H85	84 SHANK TUBE BLACK		
12.	305-008H82	84 SHANK TUBE ORANGE		
13.	890-143C	BUSHING HARDENED 1 1/4-1-3/4 L		
14.	305-057D	SHANK TUBE LOCK		
14.	305-057D85	SHANK TUBE LOCK BLACK		
14.	305-057D82	SHANK TUBE LOCK ORANGE		
15.	305-055D	TOOL BAR MAIN PIVOT PIN		
16.	807-043C	SPRING EXT LOCK ARM		
17.	305-013H	LIFT LINK		
17.	305-013H85	LIFT LINK BLACK		
17.	305-013H82	LIFT LINK ORANGE		
18.	802-042C	HHCS 1/2-13X3 3/4 GR5		
19.	803-019C	NUT LOCK 1/2-13 PLT		
20.	805-197C	PIN BENT SHANK LOCK 5/8 OD		Rev. 2
20.	303-038D	RPBY 805-197C		Rev 1; Use up stock
21.	805-032C	PIN HAIR COTTER .148 WIRE		
22.	820-151C	SCARIFIER SHANK - 16 W/TIP	(S/N 173469+)	Rev. 3
22.	820-048C	RPBY 820-151C	(S/N 173468-)	Rev 2; Use up stock
23.	820-053C	RPBY 820-048C		Rev. 1

Land Pride  
HR(L)35 SERIES**Table of Contents**    **Part Number Index**

Complete Assembly

**Hydraulic Retractable Box Scraper (S/N 948409-) (continued)****Applies to HR3566, HR3572, HR3578, HR3584, HRL3572, HRL3578**

<b>Ref</b>	<b>Part No.</b>	<b>Part Description</b>	<b>Comments</b>	<b>Revision</b>
24.	820-050C	SHANK TIP DIMPLE-ON NARROW	Standard Tip	Rev. 2 not compat. w/Rev. 1.
24.	820-153C	SHANK TIP DIMPLE-ON WIDE FLARE	Optional Tip	Rev. 1
25.	305-014H	CONNECT LINK		
25.	305-014H85	CONNECT LINK BLACK		
25.	305-014H82	CONNECT LINK ORANGE		
26.	805-127C	PIN CLEVIS 1/2 X 1 3/4		
27.	805-128C	PIN CLEVIS 1/2 X 2 3/4		
28.	805-045C	PIN COTTER 5/32 X 1 1/4 LG		
29.	820-042C	GRADER BLADE 1/2 X 6 X 65 1/2		
29.	820-043C	GRADER BLADE 1/2 X 6 X 71 1/2		
29.	820-045C	GRADER BLADE 1/2 X 6 X 77 1/2		
29.	820-046C	GRADER BLADE 1/2 X 6 X 83 1/2		
30.	802-206C	PLOW 5/8-11X1 3/4 GR5		
31.	804-022C	WASHER LOCK SPRING 5/8 PLT	S/N 499203*-	
32.	803-304C	NUT HEX WHIZ 5/8-11 PLT	S/N 615206+	
32.	803-263C	NUT HEX FLANGE LOCK 5/8-11	S/N 499204 to 615205	
32.	803-021C	NUT HEX 5/8-11 PLT	S/N 499203-	
33.	810-125C	CYL 2X4X1.12 ROD DBL ACTING	(S/N 53001+)	Rev. 2 not compat. w/Rev. 1.
33.	810-101C	CYL 3X4X1.12 ROD	(S/N 53000-)	Rev. 1
34.	805-079C	PIN CLEVIS 1 X 3 11/16 PLT		
35.	804-029C	WASHER FLAT 1 SAE		
36.	805-017C	PIN COTTER 3/16 X 1 3/4 PLT		
37.	811-062C	OREL 1/32 9/16MJIC 9/16MORB	(S/N 53001<->234196) (S/N 393471+)	
38.	811-065C	EL 9/16MJIC 9/16MORB	(S/N 53001<->234196)	
39.	811-056C	HH1/4R2 045 9/16FJIC	(S/N 53001+)	Rev. 2 not compat. w/Rev. 1.
39.	811-275C	HH1/4R1 042 1/2MNPT 9/16MORB	(S/N 53000-)	Rev. 1
40.	811-133C	AD 9/16MJIC 3/4MORB	(S/N 53001+)	
41.	800-001C	GREASE ZERK STRAIGHT 1/4-28		
42.	890-619C	BUSHING,1 1/32X49/64X5/8 KNURL	(S/N 252643+)	Rev. 2 not compat. w/Rev. 1.
42.	890-352C	BUSHING 1 OD X 3/4 ID X 5/8 LG	(S/N 132928<->252642)	Rev. 1
43.	810-132C	SEAL KIT 810-125C ENRGY 11888X	(S/N 53001+)	
44.	811-065C	EL 9/16MJIC 9/16MORB	(S/N 234197+)	
45.	811-627C	AD 9/16MORB 9/16FJIC	(S/N 234197+) (S/N 53000-)	
46.	811-065C	EL 9/16MJIC 9/16MORB	(S/N 53000-) (S/N 234197+) (S/N 393470-)	
47.	811-277C	HH1/4R2 012 9/16MORB 9/16FJIC	(S/N 234197+) (S/N 53000-)	
48.	810-102C	VALVE CYLINDER CUSHION		
49.	810-112C	SEAL KIT 3 ENERGY A-2525	(S/N 53000-)	
50.	890-617C	BUSHING,1 1/2X1 5/32X5/8 KNURL	(S/N 252643+)	
51.	890-618C	BUSHING, 1 9/64ODX57/64IDX3/4	(S/N 252643+)	
52.	300-296D	BUSHING	(S/N 252643+)	
53.	805-359C	PIN 7/8 OD X 8.25 USABLE	(S/N 252643+)	
54.	305-071S	LWR HTCH PIN ASY 7/8DX8.25USBL	(S/N 252643+)	
55.	811-416C	EL 45 9/16MJIC 9/16MORB	(S/N 234198+)	
56.	802-288C	PLOW 5/8-11X2 GR5		

***Hydraulic Retractable Box Scraper (S/N 948409-) (continued)***

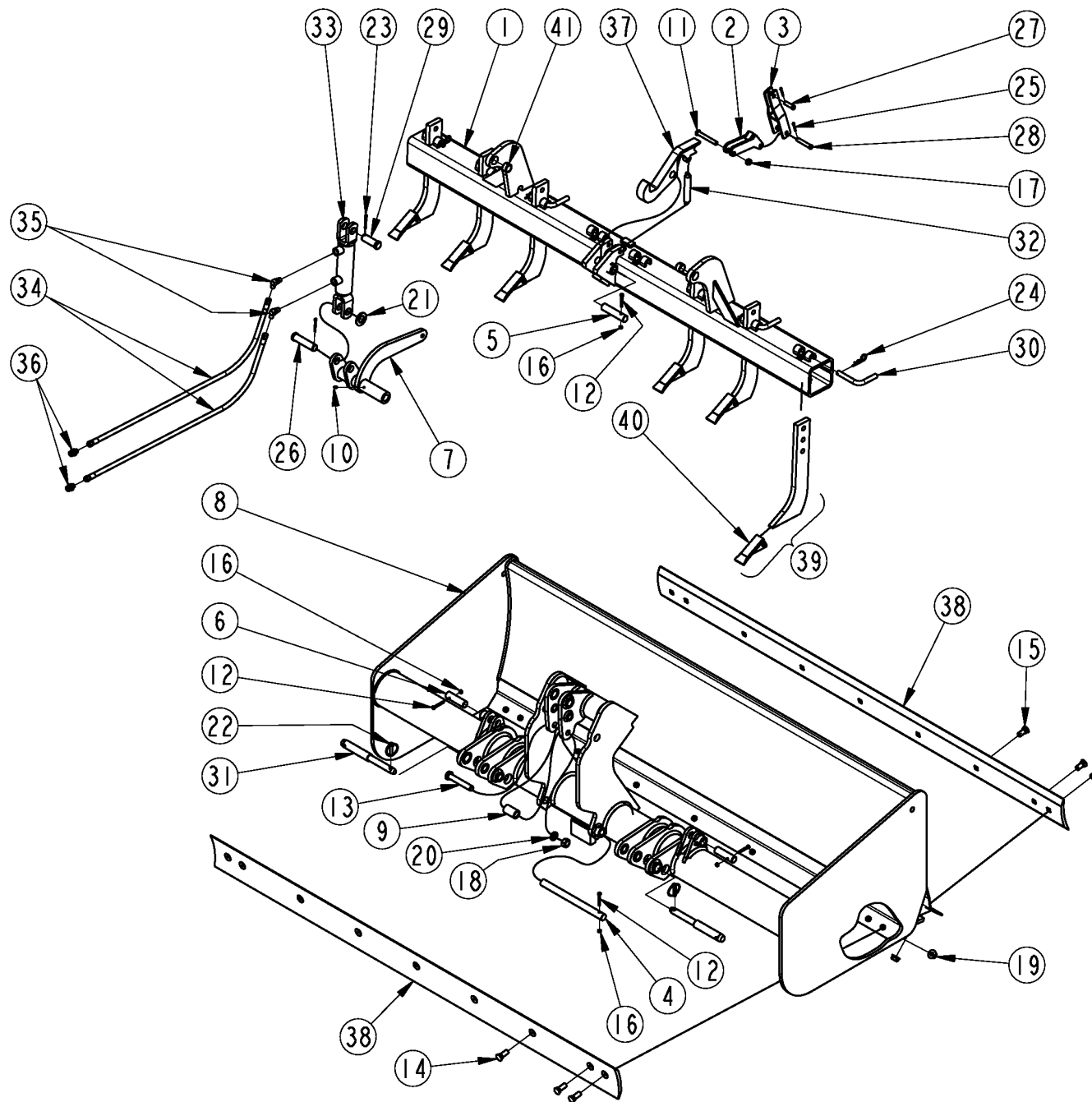
---

Applies to HR3566, HR3572, HR3578, HR3584, HRL3572, HRL3578

***This Page Intentionally Left Blank***

**Hydraulic Retractable Box Scraper (S/N 948410+)**

Applies to HR3584, HRL3578



37445



**Hydraulic Retractable Box Scraper (S/N 948410+)****Applies to HR3584, HRL3578**

Ref	Part No.	Part Description	Comments	Revision
	Dwg 37445	Image No.		
1.	305-008H	84 SHANK TUBE		
1.	305-008H82	84 SHANK TUBE ORANGE	ORANGE UNIT	
1.	305-008H85	84 SHANK TUBE BLACK	BLACK UNIT	
2.	305-013H	LIFT LINK		
2.	305-013H82	LIFT LINK ORANGE	ORANGE UNIT	
2.	305-013H85	LIFT LINK BLACK	BLACK UNIT	
3.	305-014H	CONNECT LINK		
3.	305-014H82	CONNECT LINK ORANGE	ORANGE UNIT	
3.	305-014H85	CONNECT LINK BLACK	BLACK UNIT	
4.	305-054D	CYLINDER TUBE SHAFT		
5.	305-055D	TOOL BAR MAIN PIVOT PIN		
6.	305-056D	TOOL BAR UPPER PIVOT PIN		
7.	305-130H	CYLINDER PIVOT TUBE WLDMT		
7.	305-130H82	CYLINDER PIVOT TUBE WLDMT ORANGE	ORANGE UNIT	
7.	305-130H85	CYLINDER PIVOT TUBE WLDMT BLACK	BLACK UNIT	
8.	305-148H	84 HYD RETRCT WLDMT		
8.	305-148H82	84 HYD RETRCT WLDMT ORANGE	ORANGE UNIT	
8.	305-148H85	84 HYD RETRCT WLDMT BLACK	BLACK UNIT	
8.	305-149H	78 HYD RETRCT-LOWBACK WLDMT		
8.	305-149H82	78 HYD RETRCT-LOWBACK WLDMT ORANGE	ORANGE UNIT	
8.	305-149H85	78 HYD RETRCT-LOWBACK WLDMT BLACK	BLACK UNIT	
9.	322-009D	SPACER 1 1/4 ODX7/32 WLX2.12LG		
10.	800-001C	GREASE ZERK STRAIGHT 1/4-28		
11.	802-042C	HHCS 1/2-13X3 3/4 GR5		
12.	802-152C	HHCS 1/4-20X2 GR5		
13.	802-192C	HHCS 3/4-10X4 1/2 GR5		
14.	802-206C	PLOW 5/8-11X1 3/4 GR5		
15.	802-236C	PLOW 5/8-11X1 1/2 GR5		
16.	803-007C	NUT LOCK 1/4-20 PLT		
17.	803-019C	NUT LOCK 1/2-13 PLT		
18.	803-027C	NUT HEX 3/4-10 PLT		
19.	803-304C	NUT HEX WHIZ 5/8-11 PLT		
20.	804-023C	WASHER LOCK SPRING 3/4 PLT		
21.	804-029C	WASHER FLAT 1 SAE		
22.	805-015C	PIN LINCH 5/16 X 1 3/4		
23.	805-017C	PIN COTTER 3/16 X 1 3/4 PLT		
24.	805-032C	PIN HAIR COTTER .148 WIRE		
25.	805-045C	PIN COTTER 5/32 X 1 1/4 LG		
26.	805-079C	PIN CLVS 1.0X3.69 USBL		
27.	805-127C	PIN CLVS .50X1.52 USBL		
28.	805-128C	PIN CLVS .50X2.52 USBL		
29.	805-134C	PIN CLVS 1.0X2.45 USBL		
30.	805-197C	PIN BENT .63X3.09 USBL		
31.	805-388C	PIN HTCH C1-C2 10.68 L		
32.	807-043C	SPRING EXT LOCK ARM		
33.	810-125C	CYL 2X4X1.12 ROD DBL ACTING		
34.	811-056C	HH1/4R2 045 9/16FJIC		
35.	811-065C	EL 9/16MJIC 9/16MORB		
36.	811-133C	AD 9/16MJIC 3/4MORB		
37.	305-057D	SHANK TUBE LOCK		
37.	305-057D82	SHANK TUBE LOCK	ORANGE UNIT	
37.	305-057D85	SHANK TUBE LOCK	BLACK UNIT	
38.	820-046C	GRADER BLADE 1/2 X 6 X 83 1/2		
39.	820-151C	SCARIFIER SHANK - 16 W/TIP		
40.	820-153C	SHANK TIP DIMPLE-ON WIDE FLARE		
40.	820-050C	SHANK TIP DIMPLE-ON NARROW		
41.	890-143C	BUSHING HARDENED 1 1/4-1-3/4 L		

Land Pride  
HR(L)35 SERIES

[Table of Contents](#)   [Part Number Index](#)

Complete Assembly

## ***Land Pride Touch-up Paints***

---

Applies to HR3566, HR3572, HR3578, HR3584, HRL3572, HRL3578

# **No diagram associated with this Parts List**

**Land Pride Touch-up Paints****Applies to HR3566, HR3572, HR3578, HR3584, HRL3572, HRL3578**

Ref	Part No.	Part Description	Comments	Revision
1.	821-011C	LP BEIGE SPRAY CAN	Spray can	
1.	821-011CTU	LP BEIGE TOUCH-UP 5OZ	Touch-up bottle with brush	
1.	821-011CQT	LP BEIGE QUART	Quart can	
1.	821-011CGL	LP BEIGE GALLON	Gallon can	
2.	821-070C	GLOSS BLACK SPRAY CAN	Spray can	
2.	821-070CTU	GLOSS BLACK TOUCH-UP 5OZ	Touch-up bottle with brush	
2.	821-070CQT	GLOSS BLACK QUART	Quart can	
2.	821-070CGL	GLOSS BLACK GALLON	Gallon can	
3.	821-054C	MED. RED SPRAY TRCK/CTR	Spray can	
3.	821-054CTU	MED RED TOUCH-UP 5OZ	Touch-up bottle with brush	
3.	821-054CQT	MED RED QUART	Quart can	
3.	821-054CGL	MED RED GALLON	Gallon can	
4.	821-058C	GREEN SPRAY CUTTERS	Spray can	
4.	821-058CTU	GREEN TOUCH-UP 5OZ	Touch-up bottle with brush	
4.	821-058CQT	GREEN QUART	Quart can	
4.	821-058CGL	GREEN GALLON	Gallon can	
5.	821-066C	ORANGE SPRAY CAN	Spray can	
5.	821-066CTU	ORANGE TOUCH-UP 5OZ	Touch-up bottle with brush	
5.	821-066CQT	ORANGE QUART	Quart can	
5.	821-066CGL	ORANGE GALLON	Gallon can	
6.	821-067C	BLUE SPRAY CAN	Spray can	
6.	821-067CTU	BLUE TOUCH-UP 5OZ	Touch-up bottle with brush	
6.	821-067CQT	BLUE QUART	Quart can	
6.	821-067CGL	BLUE GALLON	Gallon can	
7.	821-080C	PAINT ALUMINUM/ZINC SPRAY CAN	Spray can	
7.	821-080CTU	PAINT ALUMINUM/ZINC TOUCH UP	Touch-up bottle with brush	
7.	821-080CQT	PAINT ALUMINUM/ZINC QUART	Quart can	
7.	821-080CGL	PAINT ALUMINUM/ZINC GALLON	Gallon can	

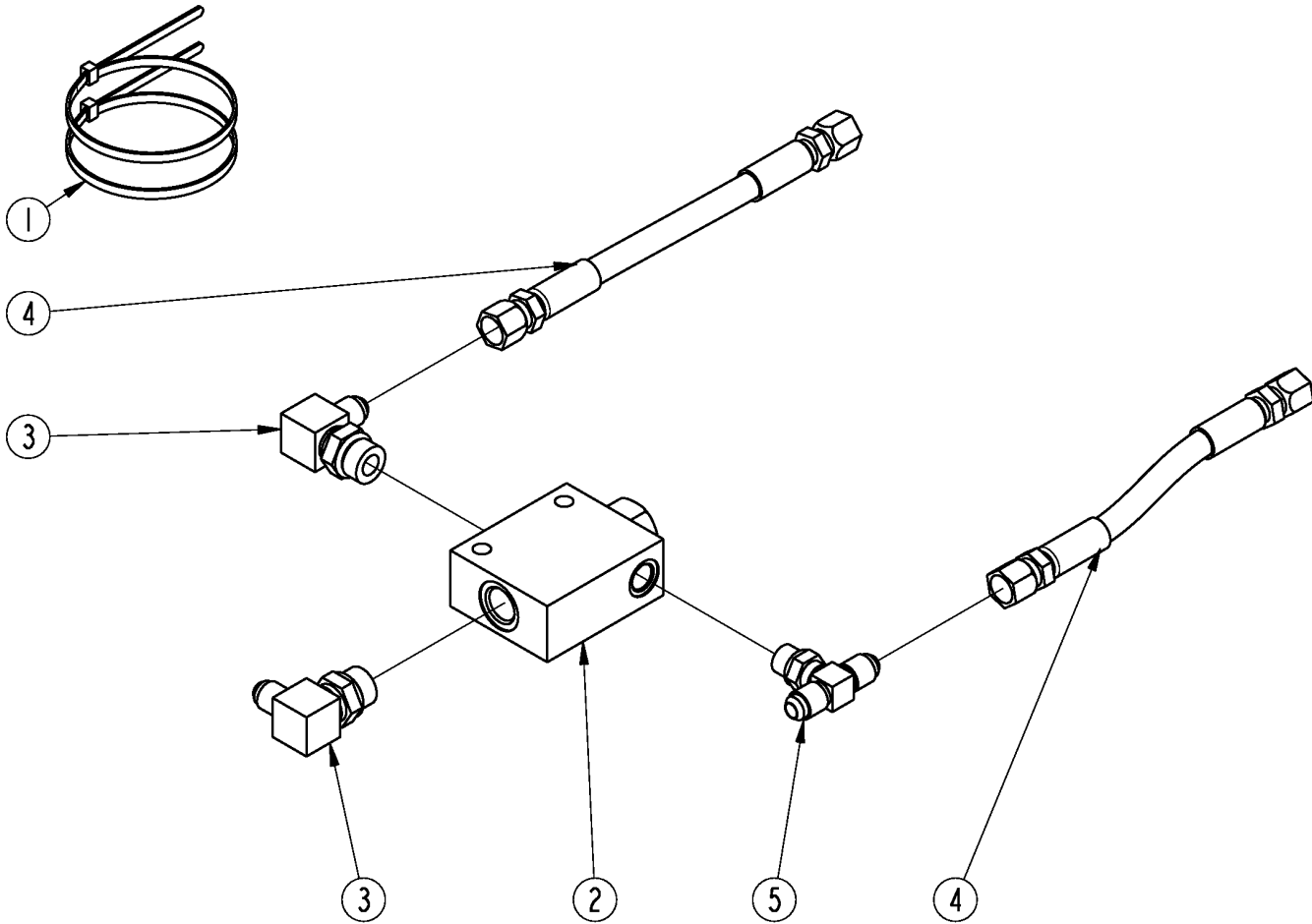
Land Pride  
HR(L)35 SERIES

[Table of Contents](#)   [Part Number Index](#)

Complete Assembly

**Pilot Operated Check Valve Kit (305-146A)**

Applies to HR3566, HR3572, HR3578, HR3584, HRL3572, HRL3578



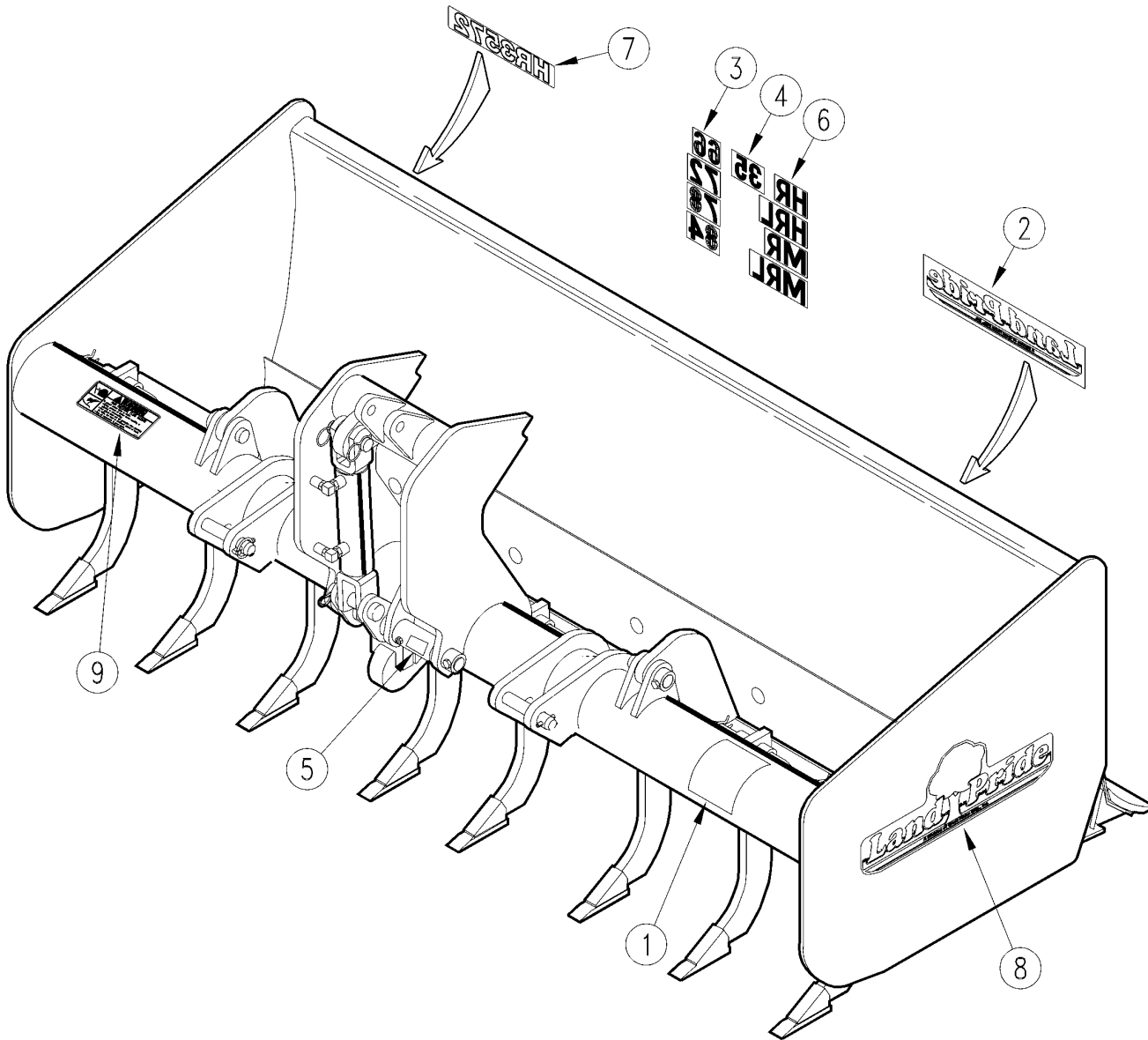
37443

***Pilot Operated Check Valve Kit (305-146A)*****Applies to HR3566, HR3572, HR3578, HR3584, HRL3572, HRL3578**

<b>Ref</b>	<b>Part No.</b>	<b>Part Description</b>	<b>Comments</b>	<b>Revision</b>
	Dwg 37443	Image No.		
	305-146A	PILOT OPERATED CHECK VALVE KIT		
	*			
1.	800-060C	CABLE TIE .19X14.25 3DIA 50LB		
2.	810-131C	PILOT OPERATED CHECK VALVE		
3.	811-171C	EL 3/4MORB 9/16MJIC		
4.	811-422C	HH1/4R2 10 9/16FJIC		
5.	811-439C	TE 9/16MORB 9/16MJIC 9/16MJIC		

**Decal Placement**

Applies to MR3566, MR3572, MR3578, MR3584, MRL3566, MRL3572, MRL3578



17567

**Decal Placement****Applies to MR3566, MR3572, MR3578, MR3584, MRL3566, MRL3572, MRL3578**

Ref	Part No.	Part Description	Comments	Revision
	Dwg 17567	Drawing Image Number		
	305-027A	MR3566 DECAL PACKAGE		
	305-032A	MR3572 DECAL PACKAGE		
	305-037A	MR3578 DECAL PACKAGE		
	305-042A	MR3584 DECAL PACKAGE		
	305-049A	HR3566 DECAL PACKAGE		
	305-050A	HR3572 DECAL PACKAGE		
	305-051A	HR3578 DECAL PACKAGE		
	305-052A	HR3584 DECAL PACKAGE		
	305-057A	HRL3572 DECAL PACKAGE		
	305-058A	HRL3578 DECAL PACKAGE		
	305-059A	MRL3572 DECAL PACKAGE		
	305-060A	MRL3578 DECAL PACKAGE		
		*		
1.	818-267C	DECAL CAUTION - BOX SCRAPER		
2.	818-901C	RPBY 838-965C	(S/N 252286+) Beige Unit	Rev. 2 not compat. w/Rev. 1.
2.	838-965C	DECAL LANDPRIDE 16" BROWN/GOLD	Black Unit & Orange Unit	
2.	818-162C	LP LOGO LARGE GREEN	(S/N 252285-)	Rev. 1
3.	818-091C	DECAL 66 LP - BLACK	(S/N 252285-)	
3.	818-092C	DECAL 72 LP - BLACK	(S/N 252285-) Obsolete	
3.	818-093C	DECAL 78 LP - BLACK	(S/N 252285-)	
3.	818-094C	DECAL 84 LP - BLACK	(S/N 252285-)	
4.	818-086C	DECAL 35 SERIES LP - BLACK	(S/N 252285-) Obsolete	
5.	818-138C	DECAL GREASE EVERY 25 HOURS		
6.	818-733C	DECAL HR LAND PRIDE BLACK	(S/N 252285-)	
6.	818-734C	DECAL HRL LAND PRIDE BLACK	(S/N 252285-)	
6.	818-736C	DECAL MR LAND PRIDE BLACK	(S/N 252285-)	
6.	818-737C	DECAL MRL LAND PRIDE BLACK	(S/N 252285-)	
7.	838-015C	DECAL MR3572-BROWN	(S/N 252286+) Beige Unit	
7.	838-866C	DECAL MR3572-BEIGE	Black Unit	
7.	848-183C	DECAL MR3572-GOLD	Orange Unit	
7.	838-016C	DECAL MR3578-BROWN	(S/N 252286+) Beige Unit	
7.	838-867C	DECAL MR3578-BEIGE	Black Unit	
7.	838-017C	DECAL MR3584-BROWN	(S/N 252286+) Beige Unit	
7.	838-869C	DECAL MR3584-BEIGE	Black Unit	
7.	848-184C	DECAL MR3584-GOLD	Orange Unit	
7.	838-018C	DECAL HR3572-BROWN	(S/N 252286+) Beige Unit	
7.	838-870C	DECAL HR3572-BEIGE	Black Unit	
7.	848-185C	DECAL HR3572-GOLD	Orange Unit	
7.	838-019C	DECAL HR3584-GOLD	S/N 252286+	
7.	838-871C	DECAL HR3584-BEIGE	Black Unit	
7.	848-186C	RPBY 838-019C	Obsolete	
7.	838-020C	DECAL MRL3566-BROWN	(S/N 252286+) Beige Unit	
7.	838-872C	DECAL MRL3566-BEIGE	Black Unit	
7.	838-021C	DECAL MRL3572-BROWN	(S/N 252286+) Beige Unit	
7.	838-873C	N/A	(Obsolete) Black Unit	
7.	848-187C	DECAL MRL3572-GOLD	Orange Unit	
7.	838-022C	DECAL MRL3578-BROWN	(S/N 252286+) Beige Unit	
7.	838-874C	DECAL MRL3578-BEIGE	Black Unit	
7.	848-188C	DECAL MRL3578-GOLD	Orange Unit	
7.	838-023C	DECAL HRL3572-BROWN	(S/N 252286+) Beige Unit	
7.	838-857C	DECAL HRL3572-BEIGE	Black Unit	
7.	848-189C	DECAL HRL3572-GOLD	Orange Unit	
7.	838-024C	DECAL HRL3578-GOLD	(S/N 252286+) Beige Unit	
7.	838-876C	DECAL HRL3578-BEIGE	Black Unit	
7.	848-190C	RPBY 838-024C	Obsolete	
8.	818-895C	RPBY 848-450C	(S/N 252286+) Beige Unit (Both End Plates S/N _____+)	Rev. 2 not compat. w/Rev. 1.

Land Pride  
MR(L)35 SERIES[Table of Contents](#)   [Part Number Index](#)

Complete Assembly

***Decal Placement (continued)*****Applies to MR3566, MR3572, MR3578, MR3584, MRL3566, MRL3572, MRL3578**

<b>Ref</b>	<b>Part No.</b>	<b>Part Description</b>	<b>Comments</b>	<b>Revision</b>
8.	848-450C	DECAL LP W/TREE 19" BROWN/GOLD		
8.	838-964C	DECAL LP 16" W/TREE BROWN/GOLD	Black Unit & Orange Unit	
8.	818-162C	LP LOGO LARGE GREEN	(S/N 252285-)	Rev. 1
9.	838-094C	DECAL WARNING HYD PRESS LONG	(S/N 266622+)	



## ***Decal Placement (continued)***

---

Applies to MR3566, MR3572, MR3578, MR3584, MRL3566, MRL3572, MRL3578

***This Page Intentionally Left Blank***

Land Pride  
MR(L)35 SERIES

[Table of Contents](#)   [Part Number Index](#)

Complete Assembly

## ***Land Pride Touch-up Paints***

---

Applies to MR3566, MR3572, MR3578, MR3584, MRL3572, MRL3578

# **No diagram associated with this Parts List**

**Land Pride Touch-up Paints****Applies to MR3566, MR3572, MR3578, MR3584, MRL3572, MRL3578**

Ref	Part No.	Part Description	Comments	Revision
1.	821-011C	LP BEIGE SPRAY CAN	Spray can	
1.	821-011CTU	LP BEIGE TOUCH-UP 5OZ	Touch-up bottle with brush	
1.	821-011CQT	LP BEIGE QUART	Quart can	
1.	821-011CGL	LP BEIGE GALLON	Gallon can	
2.	821-070C	GLOSS BLACK SPRAY CAN	Spray can	
2.	821-070CTU	GLOSS BLACK TOUCH-UP 5OZ	Touch-up bottle with brush	
2.	821-070CQT	GLOSS BLACK QUART	Quart can	
2.	821-070CGL	GLOSS BLACK GALLON	Gallon can	
3.	821-054C	MED. RED SPRAY TRCK/CTR	Spray can	
3.	821-054CTU	MED RED TOUCH-UP 5OZ	Touch-up bottle with brush	
3.	821-054CQT	MED RED QUART	Quart can	
3.	821-054CGL	MED RED GALLON	Gallon can	
4.	821-058C	GREEN SPRAY CUTTERS	Spray can	
4.	821-058CTU	GREEN TOUCH-UP 5OZ	Touch-up bottle with brush	
4.	821-058CQT	GREEN QUART	Quart can	
4.	821-058CGL	GREEN GALLON	Gallon can	
5.	821-066C	ORANGE SPRAY CAN	Spray can	
5.	821-066CTU	ORANGE TOUCH-UP 5OZ	Touch-up bottle with brush	
5.	821-066CQT	ORANGE QUART	Quart can	
5.	821-066CGL	ORANGE GALLON	Gallon can	
6.	821-067C	BLUE SPRAY CAN	Spray can	
6.	821-067CTU	BLUE TOUCH-UP 5OZ	Touch-up bottle with brush	
6.	821-067CQT	BLUE QUART	Quart can	
6.	821-067CGL	BLUE GALLON	Gallon can	
7.	821-080C	PAINT ALUMINUM/ZINC SPRAY CAN	Spray can	
7.	821-080CTU	PAINT ALUMINUM/ZINC TOUCH UP	Touch-up bottle with brush	
7.	821-080CQT	PAINT ALUMINUM/ZINC QUART	Quart can	
7.	821-080CGL	PAINT ALUMINUM/ZINC GALLON	Gallon can	

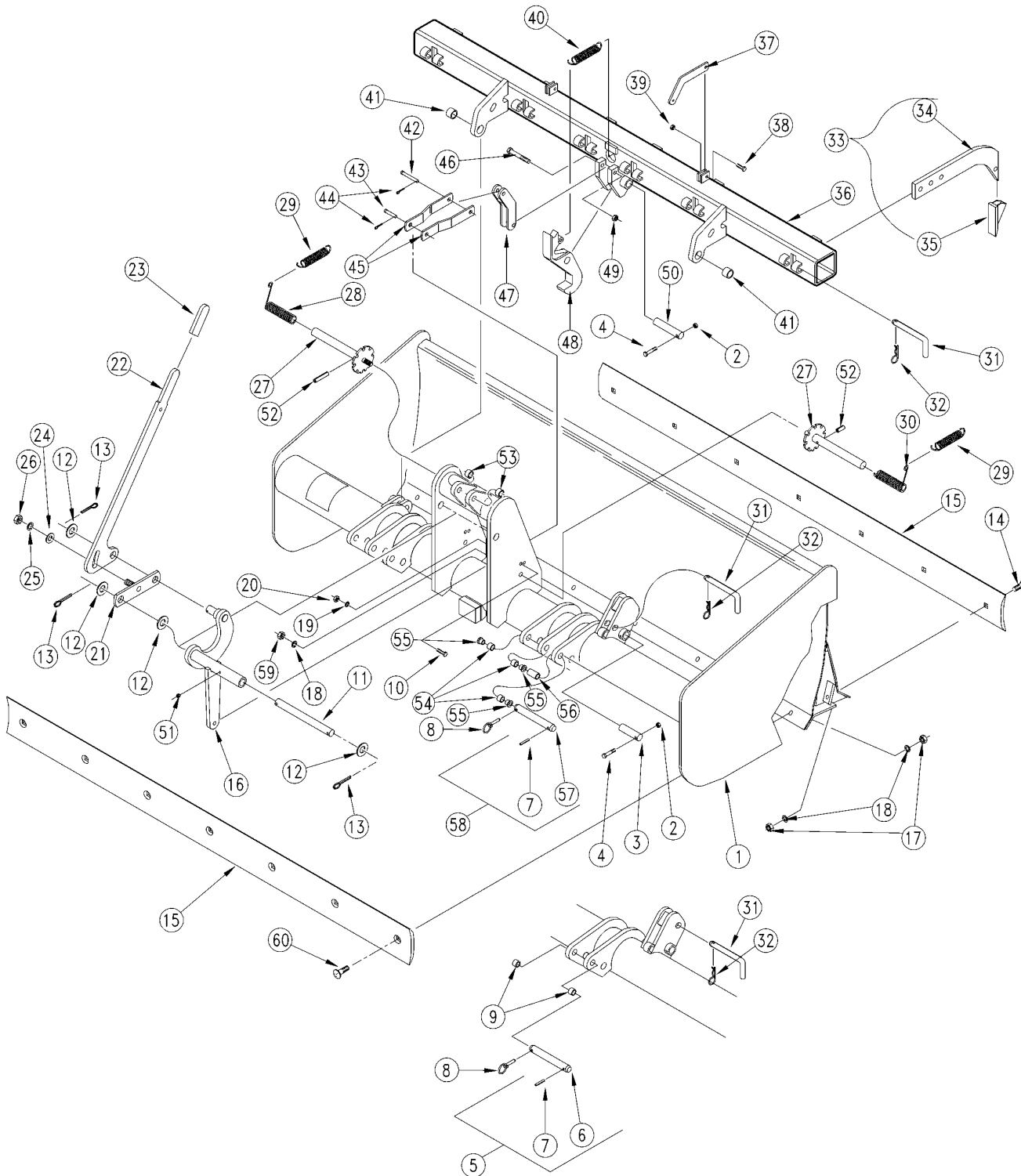
Land Pride  
MR(L)35 SERIES

[Table of Contents](#)   [Part Number Index](#)

Complete Assembly

**Manual Retractable Box Scraper**

Applies to MR3566, MR3572, MR3578, MR3584, MRL3566, MRL3572, MRL3578



10655

**Manual Retractable Box Scraper****Applies to MR3566, MR3572, MR3578, MR3584, MRL3566, MRL3572, MRL3578**

Ref	Part No.	Part Description	Comments	Revision
	Dwg 10655	Drawing Image Number		
1.	306-004H	66 MANUAL RETRACTABLE SCRAPER		
1.	306-004H85	66 MANUAL RETRACTABLE SCRAPER BLACK		
1.	306-019H	72 MANUAL RETRACTABLE LOWBACK		
1.	306-019H85	72 MANUAL RETRCT LOWBACK BLACK		
1.	306-019H82	72 MANUAL RETRCT LOWBACK ORANGE		
1.	306-005H	72 MANUAL RETRACTABLE SCRAPER		
1.	306-005H85	72 MANUAL RETRCT SCRAPER BLACK		
1.	306-005H82	72 MANUAL RETRCT SCPR ORANGE		
1.	306-020H	78 MANUAL RETRACTABLE LOWBACK		
1.	306-020H85	78 MANUAL RETRCT LOWBACK BLACK		
1.	306-020H82	78 MNL RETRCT LOWBACK ORANGE		
1.	306-006H	78 MANUAL RETRACTABLE SCRAPER		
1.	306-006H85	78 MANUAL RETRCT SCRAPER BLACK		
1.	306-007H	84 MANUAL RETRACTABLE SCRAPER		
1.	306-007H85	84 MANUAL RETRCT SCRAPER BLACK		
1.	306-007H82	84 MANUAL RETRCT SCPR ORANGE		
2.	803-007C	NUT LOCK 1/4-20 PLT		
3.	305-056D	TOOL BAR UPPER PIVOT PIN		
4.	802-152C	HHCS 1/4-20X2 GR5		
5.	303-017S	LOWER HITCH PIN 7/8 X 5 5/8	(S/N 252642-)	
6.	805-207C	PIN 7/8 OD X 4 15/32 USABLE	(S/N 252642-)	Rev. 2
6.	303-044D	RPBY 805-207C		Rev 1; Use up stock
7.	805-041C	PIN ROLL 1/4X1 3/4		
8.	805-015C	PIN LYNCH 5/16 X 1 3/4		
9.	890-144C	BUSHING 1 1/8 X 7/8 X 5/8	(S/N 252642-)	
10.	802-022C	HHCS 3/8-16X1 1/2 GR5		
11.	306-007D	HANDLE SHAFT		
12.	804-029C	WASHER FLAT 1 SAE		
13.	805-017C	PIN COTTER 3/16 X 1 3/4 PLT		
14.	802-206C	PLOW 5/8-11X1 3/4 GR5		
15.	820-042C	GRADER BLADE 1/2 X 6 X 65 1/2		
15.	820-043C	GRADER BLADE 1/2 X 6 X 71 1/2		
15.	820-045C	GRADER BLADE 1/2 X 6 X 77 1/2		
15.	820-046C	GRADER BLADE 1/2 X 6 X 83 1/2		
16.	306-024H	HANDLE PIVOT TUBE		
16.	306-024H85	HANDLE PIVOT TUBE BLACK	(S/N 53001+)	Rev. 2 not compat. w/Rev. 1.
16.	306-024H	HANDLE PIVOT TUBE ORANGE		
16.	306-001H	HANDLE PIVOT TUBE	(S/N 53000-)	Rev. 1
17.	803-263C	NUT HEX FLANGE LOCK 5/8-11	(S/N 499204+)	
17.	803-021C	NUT HEX 5/8-11 PLT	(S/N 499203-)	
18.	804-022C	WASHER LOCK SPRING 5/8 PLT	(S/N 234196-)	
19.	804-013C	WASHER LOCK SPRING 3/8 PLT	Replaced by 803-171C item 20	Rev 1; Use up stock
20.	803-171C	MAC-LOK 3/8-16 SUPER FLANGE		Rev. 2
20.	803-014C	NUT HEX 3/8-16 PLT		Rev 1; Use up stock
21.	306-025H	HANDLE BACKING PLATE WELDMENT	(S/N 53001+)	
21.	306-025H85	HANDLE BACKING PLATE WELDMENT BLACK		
21.	306-025H82	HANDLE BACKING PLT WMT ORANGE		
22.	306-022D	SLOTTED HANDLE	(S/N 53001+)	Rev. 2 not compat. w/Rev. 1.
22.	306-022D85	SLOTTED HANDLE BLACK		
22.	306-022D82	SLOTTED HANDLE ORANGE		
22.	306-018D	HANDLE	(S/N 53000-)	Rev. 1
23.	817-076C	HANDLE COVER 4 X 1 1/2 BLACK		
24.	804-024C	WASHER FLAT 3/4 USS PLT		
25.	804-023C	WASHER LOCK SPRING 3/4 PLT		
26.	803-027C	NUT HEX 3/4-10 PLT		
27.	306-026H	SPRING HOLDER SHAFT WELDMENT	(S/N 142683+)	Rev. 2
27.	306-026H85	SPRING HOLDER SHAFT WELDMENT BLACK		

Land Pride  
MR(L)35 SERIES**Table of Contents**    **Part Number Index**

Complete Assembly

**Manual Retractable Box Scraper (continued)****Applies to MR3566, MR3572, MR3578, MR3584, MRL3566, MRL3572, MRL3578**

Ref	Part No.	Part Description	Comments	Revision
27.	306-026H82	SPRING HOLDER SFT WMT ORANGE		
27.	306-003H	RPBY 306-026H	(S/N 142682-)	Rev 1; Use up stock
28.	807-052C	SPRING RH TORSION		
29.	807-050C	SPRING EXT 1 13/32 X 6 EXT		
30.	807-051C	SPRING LH TORSION		
31.	805-197C	PIN BENT SHANK LOCK 5/8 OD		Rev. 2
31.	303-038D	RPBY 805-197C		Rev 1; Use up stock
32.	805-032C	PIN HAIR COTTER .148 WIRE		
33.	820-151C	SCARIFIER SHANK - 16 W/TIP	(S/N 173469+)	Rev. 2
33.	820-048C	RPBY 820-151C	(S/N 173468-)	Rev 1; Use up stock
34.	820-053C	SHANK-16 LONG(OBRPLBY820-048C)	(S/N 173468-)	
35.	820-050C	SHANK TIP DIMPLE-ON NARROW	Standard Tip	
35.	820-153C	SHANK TIP DIMPLE-ON WIDE FLARE	Optional Tip	
36.	306-008H	66 SHANK TUBE - MANUAL		
36.	306-008H85	66 SHANK TUBE - MANUAL BLACK		
36.	306-009H	72 SHANK TUBE - MANUAL		
36.	306-009H85	72 SHANK TUBE - MANUAL BLACK		
36.	306-009H82	72 SHANK TUBE - MANUAL ORANGE		
36.	306-010H	78 SHANK TUBE - MANUAL		
36.	306-010H85	78 SHANK TUBE - MANUAL BLACK		
36.	306-010H82	78 SHANK TUBE - MANUAL ORANGE		
36.	306-011H	84 SHANK TUBE - MANUAL		
36.	306-011H85	84 SHANK TUBE - MANUAL BLACK		
36.	306-011H82	84 SHANK TUBE - MANUAL ORANGE		
37.	306-027D	ANGLED SPRING TAB		
37.	306-027D85	ANGLED SPRING TAB BLACK		
38.	802-079C	HHCS 3/8-16X1 1/4 GR5		
39.	803-013C	NUT LOCK 3/8-16 PLT		
40.	807-043C	SPRING EXT LOCK ARM		
41.	890-143C	BUSHING HARDENED 1 1/4-1-3/4 L		
42.	805-127C	PIN CLEVIS 1/2 X 1 3/4		
43.	805-128C	PIN CLEVIS 1/2 X 2 3/4		
44.	805-045C	PIN COTTER 5/32 X 1 1/4 LG		
45.	306-009D	CONNECT LINK		
45.	306-009D85	CONNECT LINK BLACK		
45.	306-009D82	CONNECT LINK ORANGE		
46.	802-042C	HHCS 1/2-13X3 3/4 GR5		
47.	306-017H	SHANK BAR CONNECT LINK		
47.	306-017H85	SHANK BAR CONNECT LINK BLACK		
47.	306-017H82	SHANK BAR CONNECT LINK ORANGE		
48.	305-057D	SHANK TUBE LOCK		
48.	305-057D85	SHANK TUBE LOCK BLACK		
48.	305-057D82	SHANK TUBE LOCK ORANGE		
49.	803-019C	NUT LOCK 1/2-13 PLT		
50.	305-055D	TOOL BAR MAIN PIVOT PIN		
51.	800-080C	GREASE ZERK 1/4-28 THD FORMING		Rev. 2
51.	800-001C	GREASE ZERK STRAIGHT 1/4-28		Rev 1; Use up stock
52.	805-029C	PIN ROLL 5/16 X 2 1/4 PLT	(S/N 142683+)	
53.	890-619C	BUSHING,1 1/32X49/64X5/8 KNURL	(S/N 252643+)	Rev. 2 not compat. w/Rev. 1.
53.	890-352C	BUSHING 1 OD X 3/4 ID X 5/8 LG	(S/N 132928,->252642)	Rev. 1
54.	890-617C	BUSHING,1 1/2X1 5/32X5/8 KNURL	(S/N 252643+)	
55.	890-618C	BUSHING, 1 9/64ODX57/64IDX3/4	(S/N 252643+)	
56.	300-296D	BUSHING	(S/N 252643+)	
57.	805-359C	PIN 7/8 OD X 8.25 USABLE	(S/N 252643+)	
58.	305-071S	LWR HTCH PIN ASY 7/8DX8.25USBL	(S/N 252643+)	
59.	803-024C	NUT LOCK 5/8-11 PLT	(S/N 234197+)	Rev. 2
59.	803-021C	NUT HEX 5/8-11 PLT	(S/N 234196-)	Rev 1; Use up stock
60.	802-288C	PLOW 5/8-11X2 GR5		

## ***Manual Retractable Box Scraper (continued)***

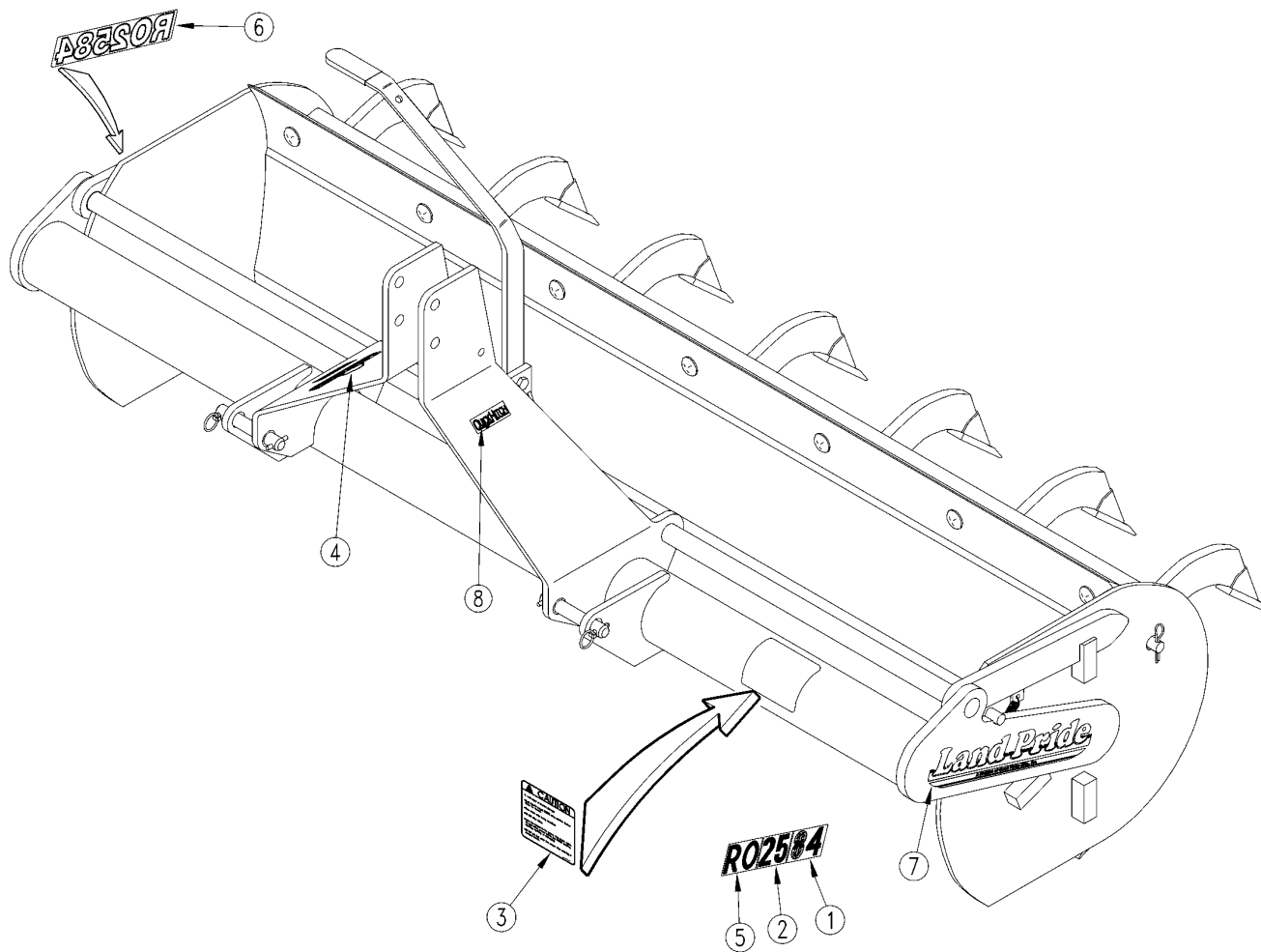
---

Applies to MR3566, MR3572, MR3578, MR3584, MRL3566, MRL3572, MRL3578

***This Page Intentionally Left Blank***

### Decal Placement

Applies to RO2560, RO2566, RO2572, RO2578, RO2584





**Decal Placement****Applies to RO2560, RO2566, RO2572, RO2578, RO2584**

Ref	Part No.	Part Description	Comments	Revision
	Dwg 17568	Drawing Image Number		
	304-040A	RO2560 BUCKSKIN W/DECALS		
	304-018A	RO2566 BUCKSKIN W/DECALS		
	304-023A	RO2572 BUCKSKIN W/DECALS		
	304-028A	RO2578 BUCKSKIN W/DECALS		
	304-033A	RO2584 BUCKSKIN W/DECALS		
1.	818-090C	DECAL 60 LP - BLACK	(S/N 252458-)	
1.	818-091C	DECAL 66 LP - BLACK	(S/N 252458-)	
1.	818-092C	DECAL 72 LP - BLACK	(S/N 252458-)	
1.	818-093C	DECAL 78 LP - BLACK	(S/N 252458-)	
1.	818-094C	DECAL 84 LP - BLACK	(S/N 252458-)	
2.	818-085C	N/A	Obsolete (S/N 252458-)	
3.	818-267C	DECAL CAUTION - BOX SCRAPER		
4.	818-896C	RPBY 838-968C	(S/N 252459+)	Rev. 2 not compat. w/Rev. 1.
4.	838-968C	DECAL LP 6 W/TREE BROWN/GOLD		
4.	818-164C	LP LOGO SMALL GREEN	(S/N 252458-)	Rev. 1
5.	818-743C	DECAL RO LAND PRIDE BLACK	(S/N 252458-)	
6.	838-025C	DECAL RO2560-BROWN	(S/N 252459+)	
6.	838-026C	DECAL RO2566-BROWN	(S/N 252459+)	
6.	838-027C	DECAL RO2572-BROWN	(S/N 252459+)	
6.	838-028C	DECAL RO2578-BROWN	(S/N 252459+)	
6.	838-029C	DECAL RO2584-BROWN	(S/N 252459+)	
7.	818-899C	RPBY 848-161C	(S/N 252459+)	
7.	848-161C	DECAL LANDPRIDE 13.25 BRWN/GLD		
8.	838-517C	DECAL QUICK HITCH SYSTEM		

## ***Land Pride Touch-up Paints***

---

Applies to RO2560, RO2566, RO2572, RO2578, RO2584

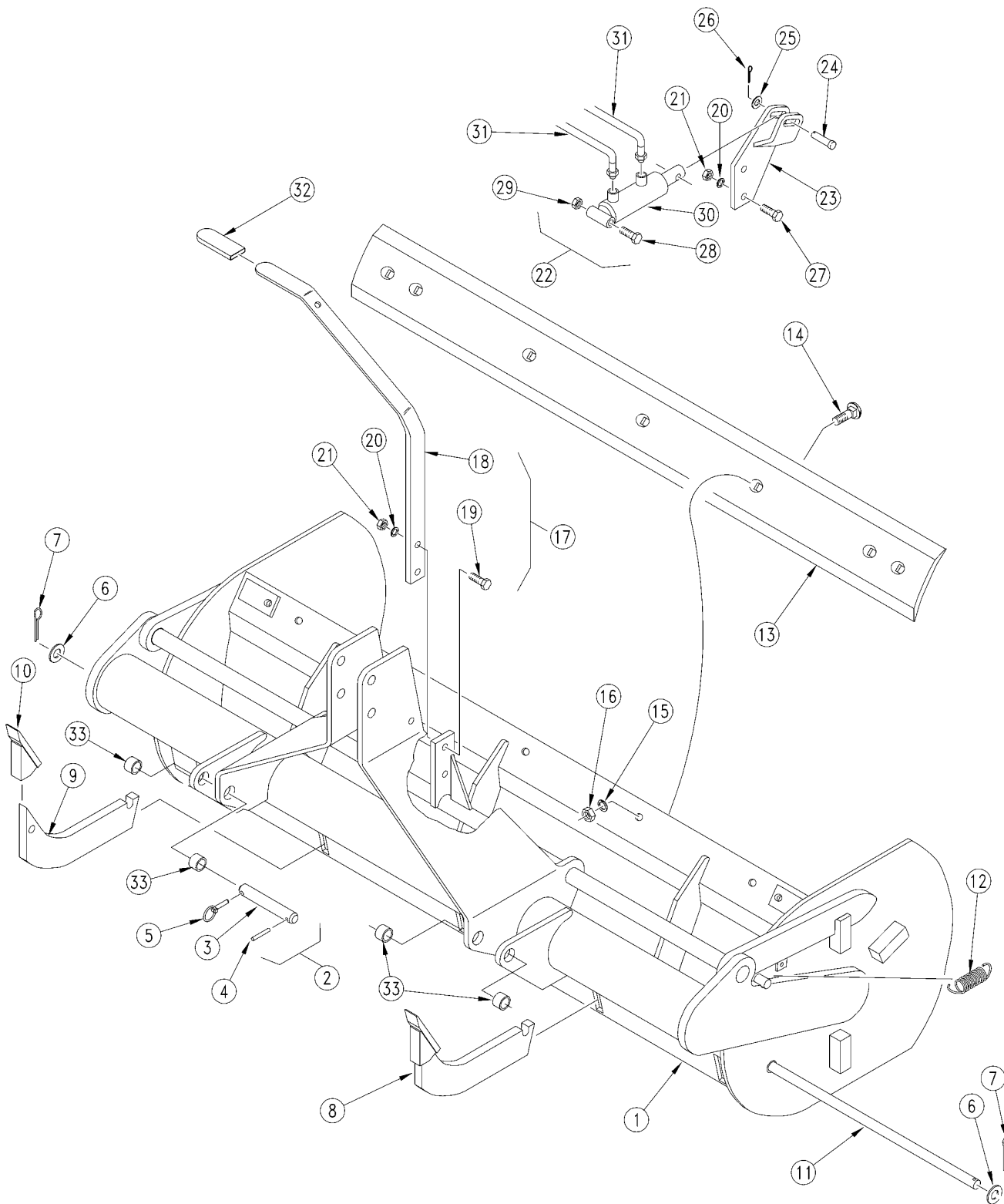
# **No diagram associated with this Parts List**

**Land Pride Touch-up Paints****Applies to RO2560, RO2566, RO2572, RO2578, RO2584**

Ref	Part No.	Part Description	Comments	Revision
1.	821-011C	LP BEIGE SPRAY CAN	Spray can	
1.	821-011CTU	LP BEIGE TOUCH-UP 5OZ	Touch-up bottle with brush	
1.	821-011CQT	LP BEIGE QUART	Quart can	
1.	821-011CGL	LP BEIGE GALLON	Gallon can	
2.	821-070C	GLOSS BLACK SPRAY CAN	Spray can	
2.	821-070CTU	GLOSS BLACK TOUCH-UP 5OZ	Touch-up bottle with brush	
2.	821-070CQT	GLOSS BLACK QUART	Quart can	
2.	821-070CGL	GLOSS BLACK GALLON	Gallon can	
3.	821-054C	MED. RED SPRAY TRCK/CTR	Spray can	
3.	821-054CTU	MED RED TOUCH-UP 5OZ	Touch-up bottle with brush	
3.	821-054CQT	MED RED QUART	Quart can	
3.	821-054CGL	MED RED GALLON	Gallon can	
4.	821-058C	GREEN SPRAY CUTTERS	Spray can	
4.	821-058CTU	GREEN TOUCH-UP 5OZ	Touch-up bottle with brush	
4.	821-058CQT	GREEN QUART	Quart can	
4.	821-058CGL	GREEN GALLON	Gallon can	
5.	821-066C	ORANGE SPRAY CAN	Spray can	
5.	821-066CTU	ORANGE TOUCH-UP 5OZ	Touch-up bottle with brush	
5.	821-066CQT	ORANGE QUART	Quart can	
5.	821-066CGL	ORANGE GALLON	Gallon can	
6.	821-067C	BLUE SPRAY CAN	Spray can	
6.	821-067CTU	BLUE TOUCH-UP 5OZ	Touch-up bottle with brush	
6.	821-067CQT	BLUE QUART	Quart can	
6.	821-067CGL	BLUE GALLON	Gallon can	
7.	821-080C	PAINT ALUMINUM/ZINC SPRAY CAN	Spray can	
7.	821-080CTU	PAINT ALUMINUM/ZINC TOUCH UP	Touch-up bottle with brush	
7.	821-080CQT	PAINT ALUMINUM/ZINC QUART	Quart can	
7.	821-080CGL	PAINT ALUMINUM/ZINC GALLON	Gallon can	

# Rollover Box Scraper

Applies to RO2560, RO2566, RO2572, RO2578, RO2584



10641

**Rollover Box Scraper****Applies to RO2560, RO2566, RO2572, RO2578, RO2584**

Ref	Part No.	Part Description	Comments	Revision
	dwg10641	Drawing Image Number		
1.	304-038H	60 ROLLOVER BOX SCRAPER		
1.	304-004H	66 ROLLOVER BOX SCRAPER		
1.	304-005H	72 ROLLOVER BOX SCRAPER		
1.	304-006H	78 ROLLOVER BOX SCRAPER		
1.	304-007H	84 ROLLOVER BOX SCRAPER		
2.	303-017S	LOWER HITCH PIN 7/8 X 5 5/8		
3.	805-207C	PIN 7/8 OD X 4 15/32 USABLE		Rev. 2
3.	303-044D	RPBY 805-207C		Rev 1; Use up stock
4.	805-041C	PIN ROLL 1/4X1 3/4		
5.	805-015C	PIN LYNCH 5/16 X 1 3/4		
6.	804-025C	WASHER FLAT 3/4 SAE PLT		
7.	805-017C	PIN COTTER 3/16 X 1 3/4 PLT		
8.	820-047C	SHANK SINGLE NOTCH W/TIP		
9.	820-052C	SINGLE NOTCH SHANK BAR		
10.	820-050C	SHANK TIP DIMPLE-ON NARROW	Standard Tip	
10.	820-153C	SHANK TIP DIMPLE-ON WIDE FLARE	Optional Tip	
11.	304-042D	60 SHANK LOCK BAR		
11.	304-034D	66 SHANK LOCK BAR		
11.	304-035D	72 SHANK LOCK BAR		
11.	304-036D	78 SHANK LOCK BAR		
11.	304-037D	84 SHANK LOCK BAR		
12.	807-043C	SPRING EXT LOCK ARM		
13.	820-041C	GRADER BLADE 1/2 X 6 X 59 1/2		
13.	820-042C	GRADER BLADE 1/2 X 6 X 65 1/2		
13.	820-043C	GRADER BLADE 1/2 X 6 X 71 1/2		
13.	820-045C	GRADER BLADE 1/2 X 6 X 77 1/2		
13.	820-046C	GRADER BLADE 1/2 X 6 X 83 1/2		
14.	802-206C	PLOW 5/8-11X1 3/4 GR5		
15.	804-022C	WASHER LOCK SPRING 5/8 PLT		
16.	803-021C	NUT HEX 5/8-11 PLT		
17.	304-012A	MANUAL TRIP HANDLE BUNDLE		
18.	304-038D	MANUAL HANDLE		
19.	802-082C	HHCS 1/2-13X1 3/4 GR5		
20.	804-015C	WASHER LOCK SPRING 1/2 PLT		
21.	803-020C	NUT HEX 1/2-13 PLT		
22.	304-013A	HYDRAULIC CYLINDER TIP BUNDLE		
23.	304-034H	HYDRAULIC CYLINDER MTG LUG		
24.	805-128C	PIN CLEVIS 1/2 X 2 3/4		
25.	804-016C	WASHER FLAT 1/2 SAE PLT		
26.	805-045C	PIN COTTER 5/32 X 1 1/4 LG		
27.	802-091C	HHCS 1/2-13X1 1/2 GR5		
28.	802-044C	HHCS 1/2-13X4 GR5		
29.	803-019C	NUT LOCK 1/2-13 PLT		
30.	810-100C	CYL 1.5X1.5X1 ROD		
31.	811-275C	HH1/4R1 042 1/2MNPT 9/16MORB		
32.	817-076C	HANDLE COVER 4 X 1 1/2 BLACK		
33.	890-232C	BUSHING 1 1/8 X 7/8 X 1/2		Rev. 2
33.	890-144C	BUSHING 1 1/8 X 7/8 X 5/8		Rev 1; Use up stock

## [Table of Contents](#)      [Part Number Index](#)



# Part Number Index

The Part Number Index is a numeric index of all part numbers included in this manual. The index shows what page(s) the part is used on.

Part Number	Page	Part Number	Page	Part Number	Page	Part Number	Page
* .....	19, 29, 33, 45, 47	303-022A .....	25	303-079A .....	19	303-127H82 .....	7
00080281 .....	35	303-022A81 .....	25	303-080A .....	19	303-127H83 .....	7
0A001845 .....	35	303-022A82 .....	25	303-081A .....	19	303-127H84 .....	7
0B007307-04.12 .....	35	303-022A83 .....	25	303-084D .....	8, 11, 15	303-127H85 .....	7
11056B .....	35	303-022A84 .....	25	303-084D81 .....	8, 11	303-128H .....	7
12171B .....	35	303-022A85 .....	25	303-084D82 .....	8, 11, 15	303-128H81 .....	7
130556 .....	33	303-023A .....	26	303-084D83 .....	8, 11	303-128H82 .....	7
186561 .....	33	303-024A .....	26	303-084D84 .....	8	303-128H83 .....	7
235005 .....	33	303-025A .....	26	303-084D85 .....	8, 15	303-128H84 .....	7
258851 .....	33	303-026A .....	26	303-085D .....	15	303-128H85 .....	7
300-296D .....	38, 54	303-027A .....	26	303-085D82 .....	15	303-129H .....	7
303-001H .....	7	303-032A .....	19	303-085D85 .....	15	303-129H81 .....	7
303-003H .....	7	303-032D .....	15	303-086D .....	15	303-129H82 .....	7
303-004H .....	15	303-033D .....	15	303-086D82 .....	15	303-129H83 .....	7
303-005H .....	15	303-034D .....	8, 15	303-086D85 .....	15	303-129H84 .....	7
303-006H .....	25	303-036D .....	8	303-089H .....	7	303-129H85 .....	7
303-006H81 .....	25	303-037A .....	19	303-090H .....	7	303-130H .....	7
303-006H82 .....	25	303-037D .....	8, 15	303-091H .....	7	303-130H81 .....	8
303-006H83 .....	26	303-038D .....	8, 15, 37, 54	303-092H .....	8	303-130H82 .....	8
303-006H84 .....	26	303-044D .....	15, 37, 53, 61	303-093H .....	8	303-130H83 .....	8
303-006H85 .....	26	303-047A .....	19	303-094H .....	15	303-130H84 .....	8
303-007H .....	26	303-052A .....	19	303-095H .....	15	303-130H85 .....	8
303-007H81 .....	26	303-053H .....	7	303-096H .....	15	303-131H .....	8
303-007H82 .....	26	303-054H .....	7	303-097H .....	15	303-131H81 .....	8
303-007H83 .....	26	303-055H .....	25	303-098H .....	15	303-131H82 .....	8
303-007H84 .....	26	303-055H81 .....	25	303-121D .....	8	303-131H83 .....	8
303-007H85 .....	26	303-055H82 .....	25	303-122D .....	9, 11	303-131H84 .....	8
303-008H .....	26	303-055H83 .....	25	303-122D81 .....	9, 11	303-131H85 .....	8
303-008H81 .....	26	303-055H84 .....	25	303-122D82 .....	9, 11	303-250H .....	8
303-008H82 .....	26	303-055H85 .....	25	303-122D83 .....	9, 11	303-250H81 .....	8
303-008H83 .....	26	303-058A .....	25	303-122D84 .....	9	303-250H82 .....	8
303-008H84 .....	26	303-058A81 .....	25	303-122D85 .....	9	303-250H83 .....	8
303-008H85 .....	26	303-058A82 .....	25	303-122H .....	7	303-250H84 .....	8
303-009H .....	26	303-058A83 .....	25	303-122H81 .....	7	303-250H85 .....	8
303-009H81 .....	26	303-058A84 .....	25	303-122H82 .....	7	303-278H .....	11
303-009H82 .....	26	303-058A85 .....	25	303-122H83 .....	7	303-278H81 .....	11
303-009H83 .....	26	303-059A .....	26	303-122H85 .....	7	303-278H82 .....	11
303-009H84 .....	26	303-060H .....	15	303-122H94 .....	7	303-278H83 .....	11
303-009H85 .....	26	303-061H .....	26	303-123D .....	9, 11	303-279H .....	11
303-010H .....	26	303-061H81 .....	26	303-123D81 .....	9, 11	303-279H81 .....	11
303-010H81 .....	26	303-061H82 .....	26	303-123D82 .....	9, 11	303-279H82 .....	11
303-010H82 .....	26	303-061H83 .....	26	303-123D83 .....	9, 11	303-279H83 .....	11
303-010H83 .....	26	303-061H84 .....	26	303-123D84 .....	9	303-280H .....	11
303-010H84 .....	26	303-061H85 .....	26	303-123D85 .....	9	303-280H81 .....	11
303-010H85 .....	26	303-063A .....	25	303-123H .....	7	303-280H82 .....	11
303-017S .....	15, 37, 53, 61	303-063A81 .....	25	303-123H81 .....	7	303-280H83 .....	11
303-018A .....	25	303-063A82 .....	25	303-123H82 .....	7	303-281H .....	11
303-018A81 .....	25	303-063A83 .....	25	303-123H83 .....	7	303-281H81 .....	11
303-018A82 .....	25	303-063A84 .....	25	303-123H84 .....	7	303-281H82 .....	11
303-018A83 .....	25	303-063A85 .....	25	303-123H85 .....	7	303-281H83 .....	11
303-018A84 .....	25	303-064A .....	26	303-124H .....	7	303-282H .....	11
303-018A85 .....	25	303-065H .....	15	303-124H81 .....	7	303-282H81 .....	11
303-019A .....	25	303-066H .....	26	303-124H82 .....	7	303-282H82 .....	11
303-019A81 .....	25	303-066H81 .....	26	303-124H83 .....	7	303-282H83 .....	11
303-019A82 .....	25	303-066H82 .....	26	303-124H84 .....	7	303-283H .....	15
303-019A83 .....	25	303-066H83 .....	26	303-124H85 .....	7	303-283H82 .....	15
303-019A84 .....	25	303-066H84 .....	26	303-125H .....	7	303-284H .....	15
303-019A85 .....	25	303-066H85 .....	26	303-125H81 .....	7	303-284H82 .....	15
303-020A .....	25	303-068A .....	25	303-125H82 .....	7	303-285H .....	15
303-020A81 .....	25	303-068A81 .....	25	303-125H83 .....	7	303-285H82 .....	15
303-020A82 .....	25	303-068A82 .....	25	303-125H84 .....	7	303-286H .....	15
303-020A83 .....	25	303-068A83 .....	25	303-125H85 .....	7	303-286H82 .....	15
303-020A84 .....	25	303-068A84 .....	25	303-126H .....	7	303-287H .....	15
303-020A85 .....	25	303-068A85 .....	25	303-126H81 .....	7	303-287H82 .....	15
303-021A .....	25	303-069A .....	26	303-126H82 .....	7	304-004H .....	61
303-021A81 .....	25	303-072H .....	7	303-126H83 .....	7	304-005H .....	61
303-021A82 .....	25	303-074A .....	19	303-126H84 .....	7	304-006H .....	61
303-021A83 .....	25	303-075H .....	15	303-126H85 .....	7	304-007H .....	61
303-021A84 .....	25	303-077A .....	19	303-127H .....	7	304-012A .....	61
303-021A85 .....	25	303-078A .....	19	303-127H81 .....	7	304-013A .....	61

[Table of Contents](#)    [Part Number Index](#)



## Part Number Index (continued)

Part Number	Page	Part Number	Page	Part Number	Page	Part Number	Page
304-018A	57	305-146A	45	802-042C	37, 41, 54	811-171C	45
304-023A	57	305-148H	41	802-044C	61	811-275C	38, 61
304-028A	57	305-148H82	41	802-064C	8, 11, 15	811-277C	38
304-033A	57	305-148H85	41	802-068C	8, 15	811-416C	38
304-034D	61	305-149H	41	802-069C	8, 11, 15	811-422C	45
304-034H	61	305-149H82	41	802-079C	54	811-439C	45
304-035D	61	305-149H85	41	802-082C	26, 61	811-627C	38
304-036D	61	306-001H	53	802-091C	61	817-076C	53, 61
304-037D	61	306-003H	54	802-152C	37, 41, 53	818-084C	19
304-038D	61	306-004H	53	802-192C	41	818-085C	19, 57
304-038H	61	306-004H85	53	802-206C	38, 41, 53, 61	818-086C	29, 47
304-040A	57	306-005H	53	802-236C	26, 41	818-087C	19
304-042D	61	306-005H82	53	802-288C	38, 54	818-088C	19
305-005H	37	306-005H85	53	802-813C	8, 11, 16	818-090C	19, 57
305-005H85	37	306-006H	53	803-007C	37, 41, 53	818-091C	19, 29, 47, 57
305-006H	37	306-006H85	53	803-013C	54	818-092C	19, 29, 47, 57
305-006H82	37	306-007D	53	803-014C	33, 53	818-093C	29, 47, 57
305-006H85	37	306-007H	53	803-019C	26, 37, 41, 54, 61	818-094C	19, 29, 47, 57
305-007H	37	306-007H82	53	803-020C	61	818-099C	19
305-007H82	37	306-007H85	53	803-021C	27, 38, 53, 54, 61	818-138C	29, 47
305-007H85	37	306-008H	54	803-024C	54	818-162C	19, 20, 29, 30, 47, 48
305-008H	37, 41	306-008H85	54	803-027C	8, 11, 15, 41, 53	818-164C	57
305-008H82	37, 41	306-009D	54	803-171C	53	818-168C	19
305-008H85	37, 41	306-009D82	54	803-263C	8, 16, 38, 53	818-168C	19
305-012H	37	306-009D85	54	803-304C	8, 11, 16, 38, 41	818-267C	19, 29, 47, 57
305-012H82	37	306-009H	54	804-013C	53	818-725C	19
305-012H85	37	306-009H82	54	804-015C	61	818-733C	29, 47
305-013H	37, 41	306-009H85	54	804-016C	61	818-734C	29, 47
305-013H82	37, 41	306-010H	54	804-022C	27, 38, 53, 61	818-736C	29, 47
305-013H85	37, 41	306-010H82	54	804-023C	8, 11, 15, 41, 53	818-737C	29, 47
305-014H	38, 41	306-010H85	54	804-024C	53	818-743C	57
305-014H82	38, 41	306-011H	54	804-025C	61	818-893C	20
305-014H85	38, 41	306-011H82	54	804-029C	38, 41, 53	818-895C	29, 47
305-015H	37	306-011H85	54	805-015C	8, 11, 15, 37, 41, 53, 61	818-896C	57
305-015H85	37	306-017H	54	805-017C	38, 41, 53, 61	818-899C	57
305-016H	37	306-017H82	54	805-029C	54	818-901C	19, 29, 47
305-016H82	37	306-017H85	54	805-032C	8, 11, 15, 37, 41, 54	820-035C	16, 26
305-016H85	37	306-018D	53	805-041C	8, 11, 15, 37, 53, 61	820-039C	8, 11, 26
305-017H	37	306-019H	53	805-045C	38, 41, 54, 61	820-040C	8, 11, 26
305-017H85	37	306-019H82	53	805-079C	38, 41	820-041C	8, 12, 15, 26, 61
305-018H	37	306-019H85	53	805-081C	9, 11, 16	820-042C	8, 12, 15, 26, 38, 53, 61
305-018H82	37	306-020H	53	805-111C	8	820-043C	8, 12, 16, 26, 38, 53, 61
305-018H85	37	306-020H82	53	805-111C	8	820-044C	8, 15
305-027A	29, 47	306-022D	53	805-127C	38, 41, 54	820-045C	38, 53, 61
305-032A	29, 47	306-022D82	53	805-128C	38, 41, 54, 61	820-046C	16, 26, 38, 41, 53, 61
305-037A	29, 47	306-022D85	53	805-134C	41	820-047C	61
305-042A	29, 47	306-024H	53	805-197C	8, 11, 15, 37, 41, 54	820-048C	37, 54
305-044H	37	306-024H85	53	805-198C	8, 11	820-050C	9, 12, 16, 38, 41, 54, 61
305-044H82	37	306-025H	53	805-207C	15, 37, 53, 61	820-052C	61
305-044H85	37	306-026H	53	805-359C	38, 54	820-053C	37, 54
305-045H	37	306-026H82	54	805-388C	41	820-069C	8, 26
305-045H82	37	306-026H85	53	805-495C	11	820-151C	37, 41, 54
305-045H85	37	306-027D	54	807-043C	37, 41, 54, 61	820-152C	8, 12, 15
305-049A	29, 47	306-027D85	54	807-050C	54	820-153C	8, 12, 15, 38, 41, 54, 61
305-050A	29, 47	308-400D	8, 11, 15	807-051C	54	821-011C	23, 43, 51, 59
305-051A	29, 47	310-020S	8, 11	807-052C	54	821-011CGL	23, 43, 51, 59
305-052A	29, 47	310-074D	8	810-100C	61	821-011CQT	23, 43, 51, 59
305-054D	37, 41	322-009D	41	810-101C	38	821-011CTU	23, 43, 51, 59
305-055D	37, 41, 54	322-010D	8	810-102C	38	821-054C	23, 43, 51, 59
305-056D	37, 41, 53	437208	33	810-112C	38	821-054CGL	23, 43, 51, 59
305-057A	29, 47	491604	33	810-125C	33, 35, 38, 41	821-054CQT	23, 43, 51, 59
305-057D	37, 41, 54	492214	33	810-131C	45	821-054CTU	23, 43, 51, 59
305-057D82	37, 41, 54	492669	33	810-132C	35, 38	821-058C	23, 43, 51, 59
305-058A	29, 47	494382	33	810-883C	33	821-058CGL	23, 43, 51, 59
305-059A	29, 47	800-001C	38, 41, 54	811-056C	38, 41	821-058CQT	23, 43, 51, 59
305-060A	29, 47	800-060C	45	811-062C	38	821-058CTU	23, 43, 51, 59
305-071S	38, 54	800-080C	54	811-065C	38, 41		
305-130H	41	802-022C	53	811-133C	38, 41		
305-130H82	41						
305-130H85	41						

[Table of Contents](#)    [Part Number Index](#)



## Part Number Index (continued)

Part Number	Page	Part Number	Page
821-066C	23, 43, 51, 59	848-179C	19
821-066CGL	23, 43, 51, 59	848-180C	19
821-066CQT	23, 43, 51, 59	848-181C	19
821-066CTU	23, 43, 51, 59	848-182C	19
821-067C	23, 43, 51, 59	848-183C	29, 47
821-067CGL	23, 43, 51, 59	848-184C	29, 47
821-067CQT	23, 43, 51, 59	848-185C	29, 47
821-067CTU	23, 43, 51, 59	848-186C	29, 47
821-070C	23, 43, 51, 59	848-187C	29, 47
821-070CGL	23, 43, 51, 59	848-188C	29, 47
821-070CQT	23, 43, 51, 59	848-189C	29, 47
821-070CTU	23, 43, 51, 59	848-190C	29, 47
821-080C	23, 43, 51, 59	848-287C	19
821-080CGL	23, 43, 51, 59	848-288C	19
821-080CQT	23, 43, 51, 59	848-289C	19
821-080CTU	23, 43, 51, 59	848-450C	30, 48
838-006C	19	890-143C	37, 41, 54
838-007C	19	890-144C	37, 53, 61
838-008C	19	890-232C	61
838-009C	19	890-352C	38, 54
838-010C	19	890-617C	38, 54
838-011C	19	890-618C	38, 54
838-012C	19	890-619C	38, 54
838-013C	19	Dwg 10617	37
838-014C	19	Dwg 10655	53
838-015C	29, 47	Dwg 14241	25
838-016C	29, 47	Dwg 14621	15
838-017C	29, 47	Dwg 17566	19
838-018C	29, 47	Dwg 17567	29, 47
838-019C	29, 47	Dwg 17568	57
838-020C	29, 47	Dwg 22411	7
838-021C	29, 47	Dwg 37019	11
838-022C	29, 47	Dwg 37443	45
838-023C	29, 47	Dwg 37445	41
838-024C	29, 47	dwg10639	35
838-025C	57	dwg10641	61
838-026C	57	dwg13565	33
838-027C	57	N/A	15, 19, 29, 33,
838-028C	57		47, 57
838-029C	57		
838-094C	30, 48		
838-517C	20, 57		
838-614C	20		
838-615C	20		
838-852C	19		
838-853C	19		
838-854C	19		
838-855C	19		
838-856C	19		
838-857C	19, 29, 47		
838-858C	19		
838-859C	19		
838-861C	19		
838-866C	29, 47		
838-867C	29, 47		
838-869C	29, 47		
838-870C	29, 47		
838-871C	29, 47		
838-872C	29, 47		
838-873C	29, 47		
838-874C	29, 47		
838-876C	29, 47		
838-927C	19		
838-928C	19		
838-929C	19		
838-930C	19		
838-964C	20, 30, 48		
838-965C	19, 29, 47		
838-968C	57		
848-161C	57		
848-178C	19		



[Table of Contents](#)   [Part Number Index](#)

***This Page Intentionally Left Blank***



Great Plains Manufacturing, Inc.

Corporate Office: P.O. Box 5060  
Salina, Kansas 67402-5060 USA

[www.landpride.com](http://www.landpride.com)

---